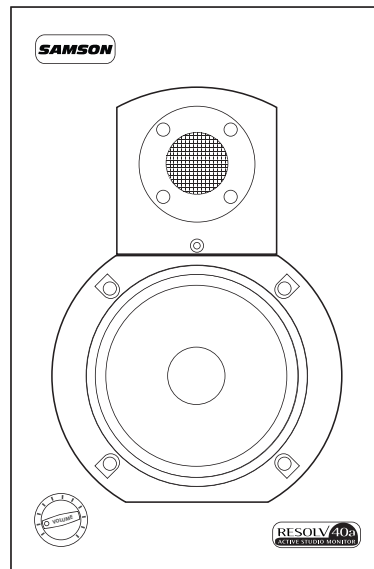
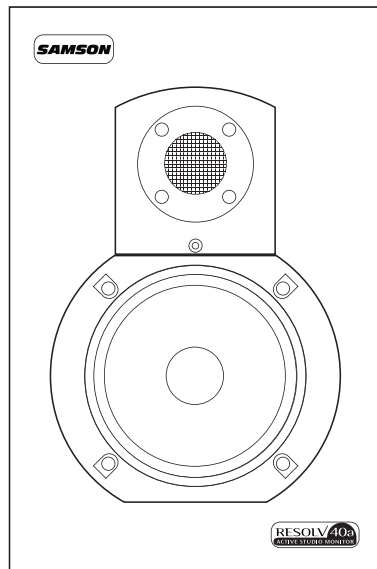


RESOLV 40a

ACTIVE STUDIO MONITOR



Two-way Active Studio Monitor System

Owners Manual

SAMSON
A U D I O

STUDIO REFERENCE MONITORS

Safety Instructions/Consignes de sécurité/Sicherheitsvorkehrungen



WARNING: To reduce the risk of fire or electric shock, do not expose this unit to rain or moisture. To reduce the hazard of electrical shock, do not remove cover or back. No user serviceable parts inside. Please refer all servicing to qualified personnel. The lightning flash with an arrowhead symbol within an equilateral triangle, is intended to alert the user to the presence of uninsulated "dangerous voltage" within the products enclosure that may be of sufficient magnitude to constitute a risk of electric shock to persons. The exclamation point within an equilateral triangle is intended to alert the user to the presence of important operating and maintenance (servicing) instructions in the literature accompanying the product.

Important Safety Instructions

1. Please read all instructions before operating the unit.
2. Keep these instructions for future reference.
3. Please heed all safety warnings.
4. Follow manufacturers instructions.
5. Do not use this unit near water or moisture.
6. Clean only with a damp cloth.
7. Do not block any of the ventilation openings. Install in accordance with the manufacturers instructions.
8. Do not install near any heat sources such as radiators, heat registers, stoves, or other apparatus (including amplifiers) that produce heat.
9. Do not defeat the safety purpose of the polarized or grounding-type plug. A polarized plug has two blades with one wider than the other. A grounding type plug has two blades and a third grounding prong. The wide blade or third prong is provided for your safety. When the provided plug does not fit your outlet, consult an electrician for replacement of the obsolete outlet.
10. Protect the power cord from being walked on and pinched particularly at plugs, convenience receptacles and at the point at which they exit from the unit.
11. Unplug this unit during lightning storms or when unused for long periods of time.
12. Refer all servicing to qualified personnel. Servicing is required when the unit has been damaged in any way, such as power supply cord or plug damage, or if liquid has been spilled or objects have fallen into the unit, the unit has been exposed to rain or moisture, does not operate normally, or has been dropped.

ATTENTION: Pour éviter tout risque d'électrocution ou d'incendie, ne pas exposer cet appareil à la pluie ou à l'humidité. Pour éviter tout risque d'électrocution, ne pas ôter le couvercle ou le dos du boîtier. Cet appareil ne contient aucune pièce remplaçable par l'utilisateur. Confiez toutes les réparations à un personnel qualifié. Le signe avec un éclair dans un triangle prévient l'utilisateur de la présence d'une tension dangereuse et non isolée dans l'appareil. Cette tension constitue un risque d'électrocution. Le signe avec un point d'exclamation dans un triangle prévient l'utilisateur d'instructions importantes relatives à l'utilisation et à la maintenance du produit.

Consignes de sécurité importantes

1. Veuillez lire toutes les instructions avant d'utiliser l'appareil.
2. Conserver ces instructions pour toute lecture ultérieure.
3. Lisez avec attention toutes les consignes de sécurité.
4. Suivez les instructions du fabricant.
5. Ne pas utiliser cet appareil près d'une source liquide ou dans un lieu humide.
6. Nettoyez l'appareil uniquement avec un tissu humide.
7. Veillez à ne pas obstruer les fentes prévues pour la ventilation de l'appareil. Installez l'appareil selon les instructions du fabricant.
8. Ne pas installer près d'une source de chaleur (radiateurs, etc.) ou de tout équipement susceptible de générer de la chaleur (amplificateurs de puissance par exemple).
9. Ne pas retirer la terre du cordon secteur ou de la prise murale. Les fiches canadiennes avec polarisation (avec une lame plus large) ne doivent pas être modifiées. Si votre prise murale ne correspond pas au modèle fourni, consultez votre électricien.
10. Protégez le cordon secteur contre tous les dommages possibles (pincement, tension, torsion,, etc.). Veillez à ce que le cordon secteur soit libre, en particulier à sa sortie du boîtier.
11. Déconnectez l'appareil du secteur en présence d'orage ou lors de périodes d'inutilisation prolongées.
12. Consultez un service de réparation qualifié pour tout dysfonctionnement (dommage sur le cordon secteur, baisse de performances, exposition à la pluie, projection liquide dans l'appareil, introduction d'un objet dans le boîtier, etc.).

Stromschlags zu verringern, sollten Sie weder Deckel noch Rückwand des Geräts entfernen. Im Innern befinden sich keine Teile, die vom Anwender gewartet werden können. Überlassen Sie die Wartung qualifiziertem Fachpersonal. Der Blitz mit Pfeilspitze im gleichseitigen Dreieck soll den Anwender vor nichtisolierter "gefährlicher Spannung" im Geräteinnern warnen. Diese Spannung kann so hoch sein, dass die Gefahr eines Stromschlags besteht. Das Ausrufezeichen im gleichseitigen Dreieck soll den Anwender auf wichtige Bedienungs- und Wartungsanleitungen aufmerksam machen, die im mitgelieferten Informationsmaterial näher beschrieben werden.

Wichtige Sicherheitsvorkehrungen

1. Lesen Sie alle Anleitungen, bevor Sie das Gerät in Betrieb nehmen.
2. Bewahren Sie diese Anleitungen für den späteren Gebrauch gut auf.
3. Bitte treffen Sie alle beschriebenen Sicherheitsvorkehrungen.
4. Befolgen Sie die Anleitungen des Herstellers.
5. Benutzen Sie das Gerät nicht in der Nähe von Wasser oder Feuchtigkeit.
6. Verwenden Sie zur Reinigung des Geräts nur ein feuchtes Tuch.
7. Blockieren Sie keine Belüftungsöffnungen. Nehmen Sie den Einbau des Geräts nur entsprechend den Anweisungen des Herstellers vor.
8. Bauen Sie das Gerät nicht in der Nähe von Wärmequellen wie Heizkörpern, Wärmeclappen, Öfen oder anderen Geräten (inklusive Verstärkern) ein, die Hitze erzeugen.
9. Setzen Sie die Sicherheitsfunktion des polarisierten oder geerdeten Steckers nicht außer Kraft. Ein polarisierter Stecker hat zwei flache, unterschiedlich breite Pole. Ein geerdeter Stecker hat zwei flache Pole und einen dritten Erdungsstift. Der breitere Pol oder der dritte Stift dient Ihrer Sicherheit. Wenn der vorhandene Stecker nicht in Ihre Steckdose passt, lassen Sie die veraltete Steckdose von einem Elektriker ersetzen.
10. Schützen Sie das Netzkabel dahingehend, dass niemand darüber laufen und es nicht geknickt werden kann. Achten Sie hierbei besonders auf Netzstecker, Mehrfachsteckdosen und den Kabelanschluss am Gerät.
11. Ziehen Sie den Netzstecker des Geräts bei Gewittern oder längeren Betriebspausen aus der Steckdose.
12. Überlassen Sie die Wartung qualifiziertem Fachpersonal. Eine Wartung ist notwendig, wenn das Gerät auf irgendeine Weise, beispielsweise am Kabel oder Netzstecker beschädigt wurde, oder wenn Flüssigkeiten oder Objekte in das Gerät gelangt sind, es Regen oder Feuchtigkeit ausgesetzt war, nicht mehr wie gewohnt betrieben werden kann oder fallen gelassen wurde.

Instrucciones de seguridad / Istruzioni di Sicurezza

PRECAUCION: Para reducir el riesgo de incendios o descargas, no permita que este aparato quede expuesto a la lluvia o la humedad. Para reducir el riesgo de descarga eléctrica, nunca quite la tapa ni el chasis. Dentro del aparato no hay piezas susceptibles de ser reparadas por el usuario. Dirija cualquier reparación al servicio técnico oficial. El símbolo del relámpago dentro del triángulo equilátero pretende advertir al usuario de la presencia de "voltajes peligrosos" no aislados dentro de la carcasa del producto, que pueden ser de la magnitud suficiente como para constituir un riesgo de descarga eléctrica a las personas. El símbolo de exclamación dentro del triángulo equilátero quiere advertirle de la existencia de importantes instrucciones de manejo y mantenimiento (reparaciones) en los documentos que se adjuntan con este aparato.

Instrucciones importantes de seguridad

1. Lea todo este manual de instrucciones antes de comenzar a usar la unidad.
2. Conserve estas instrucciones para cualquier consulta en el futuro.
3. Cumpla con todo lo indicado en las precauciones de seguridad.
4. Observe y siga todas las instrucciones del fabricante.
5. Nunca utilice este aparato cerca del agua o en lugares húmedos.
6. Limpie este aparato solo con un trapo suave y ligeramente humedecido.
7. No bloquee ninguna de las aberturas de ventilación. Instale este aparato de acuerdo a las instrucciones del fabricante.
8. No instale este aparato cerca de fuentes de calor como radiadores, calentadores, hornos u otros aparatos (incluyendo amplificadores) que produzcan calor.
9. No anule el sistema de seguridad del enchufe de tipo polarizado o con toma de tierra. Un enchufe polarizado tiene dos bornes, uno más ancho que el otro. Uno con toma de tierra tiene dos bornes normales y un tercero para la conexión a tierra. El borne ancho o el tercero se incluyen como medida de seguridad. Cuando el enchufe no encaje en su salida de corriente, llame a un electricista para que le cambie su salida anticuada.
10. Evite que el cable de corriente quede en una posición en la que pueda ser pisado o aplastado, especialmente en los enchufes, receptáculos y en el punto en el que salen de la unidad.
11. Desconecte de la corriente este aparato durante las tormentas eléctricas o cuando no lo vaya a usar durante un periodo de tiempo largo.
12. Dirija cualquier posible reparación solo al servicio técnico oficial. Deberá hacer que su aparato sea reparado cuando esté dañado de alguna forma, como si el cable de corriente o el enchufe están dañados, o si se han derramado líquidos o se ha introducido algún objeto dentro de la unidad, si esta ha quedado expuesta a la lluvia o la humedad, si no funciona normalmente o si ha caído al suelo.

ATTENZIONE: per ridurre il rischio di incendio o di scariche elettriche, non esponete questo apparecchio a pioggia o umidità. Per ridurre il pericolo di scariche elettriche evitate di rimuoverne il coperchio o il pannello posteriore. Non esistono all'interno dell'apparecchio parti la cui regolazione è a cura dell'utente. Per eventuale assistenza, fate riferimento esclusivamente a personale qualificato. Il fulmine con la punta a freccia all'interno di un triangolo equilatero avvisa l'utente della presenza di "tensioni pericolose" non isolate all'interno dell'apparecchio, tali da costituire un possibile rischio di scariche elettriche dannose per le persone. Il punto esclamativo all'interno di un triangolo equilatero avvisa l'utente della presenza di importanti istruzioni di manutenzione (assistenza) nella documentazione che accompagna il prodotto.

Importanti Istruzioni di Sicurezza

1. Prima di usare l'apparecchio, vi preghiamo di leggerne per intero le istruzioni.
2. Conservate tali istruzioni per una eventuale consultazione futura.
3. Vi preghiamo di rispettare tutte le istruzioni di sicurezza.
4. Seguite tutte le istruzioni del costruttore.
5. Non usate questo apparecchio vicino ad acqua o umidità.
6. Pulite l'apparecchio esclusivamente con un panno asciutto.
7. Evitate di ostruire una qualsiasi delle aperture di ventilazione. Posizionatelo seguendo le istruzioni del costruttore.
8. Non posizionatelo vicino a sorgenti di calore come radiatori, scambiatori di calore, forni o altri apparecchi (amplificatori compresi) in grado di generare calore.
9. Non disattivate la protezione di sicurezza costituita dalla spina polarizzata o dotata di collegamento a terra. Una spina polarizzata è dotata di due spinotti, uno più piccolo ed uno più grande. Una spina dotata di collegamento a terra è dotata di due spinotti più un terzo spinotto di collegamento a terra. Questo terzo spinotto, eventualmente anche più grande, viene fornito per la vostra sicurezza. Se la spina fornita in dotazione non si adatta alla vostra presa, consultate un elettricista per la sostituzione della presa obsoleta.
10. Proteggete il cavo di alimentazione in modo che non sia possibile camminarci sopra né piegarlo, con particolare attenzione alle prese, ai punti di collegamento e al punto in cui esce dall'apparecchio.
11. Staccate l'apparecchio dalla alimentazione in caso di temporali o tempeste o se non lo usate per un lungo periodo.
12. Per l'assistenza, fate riferimento esclusivamente a personale qualificato. È necessaria l'assistenza se l'apparecchio ha subito un qualsiasi tipo di danno, come danni al cavo o alla spina di alimentazione, nel caso in cui sia stato versato del liquido o siano caduti oggetti al suo interno, sia stato esposto a pioggia o umidità, non funzioni correttamente o sia stato fatto cadere.

Copyright 2005, Samson Technologies Corp.

Printed August, 2005 v5

Samson Technologies Corp.

575 Underhill Blvd.

P.O. Box 9031

Syosset, NY 11791-9031

Phone: 1-800-3-SAMSON (1-800-372-6766)

Fax: 516-364-3888

www.samsontech.com

Contents

Introduction	1
Resolv 40a Features	2
Resolv 40a Layout	3
Front View Layout	3
R40a Rear Panel Layout	4
Setting up the Resolv 40a	5
Positioning the Resolv 40a	5
Connecting the Resolv 40a	7
Operating the Resolv 40a	8
Resolv 40a Rear Control Panel	8
Connecting to the Resolv120a Subwoofer	10
Resolv 40a Wiring Guide	11
Specifications	56

Table des matières

Introduction	12
Caractéristiques des moniteurs Resolv 40a	13
Présentation des moniteurs Resolv 40a	14
Face avant	14
Face arrière des R40a	15
Configuration des moniteurs Resolv 40a	16
Connexions des moniteurs Resolv 40a	18
Utilisation des moniteurs Resolv 40a	19
Réglages des Resolv 40a	19
Connexion au Subwoofer Resolv120a	21
Plan de câblage des moniteurs Resolv 40a	22
Caractéristiques techniques	56

Inhalt

Einleitung	23
Resolv 40a Features	24
Resolv 40a Layout	25
Layout der Vorderseite	25
R40a Layout der Rückseite	26
Resolv 40a einrichten	27
Resolv 40a positionieren	27
Resolv 40a anschließen	29
Resolv 40a bedienen	30
Resolv 40a rückseitiges Bedienfeld	30
Resolv120a Subwoofer anschließen	32
Resolv 40a Verdrahtung	33
Technische Daten	56

Contenido

Introducción	34
Características de los Resolv 40a	35
Distribución del Resolv 40a	36
Vista del panel frontal	36
Distribución del Resolv 40a	37
Vista del panel trasero del R40a	37
Vista del panel trasero del R40P	37
Configuración del Resolv 40a	38
Colocación del Resolv 40a	38
Configuración del Resolv 40a	39
Conexión del Resolv 40a	40
Manejo del Resolv 40a	41
Panel de control trasero del Resolv 40a	41
Conexión al subwoofer Resolv120a	43
Guía de cableado del Resolv 40a	44
Especificaciones técnicas	56

Contenuti

Introduzione	45
Le Caratteristiche dei Resolv 40a	46
Resolv 40a - I Componenti	47
I Componenti del Pannello Frontale	47
Resolv 40a - I Componenti	48
I Componenti del Pannello Posteriore dell'R40a	48
La Messa a Punto dei Resolv 40a	49
Il Posizionamento dei Resolv 40a	49
La Messa a Punto dei Resolv 40a	50
Il Collegamento dei Resolv 40a	51
L'Uso dei Resolv 40a	52
Il Pannello di Controllo Posteriore dei Resolv 40a	52
L'Uso dei Resolv 40a	53
Il Collegamento dei Subwoofer Resolv120a	54
Guida al Cablaggio dei Resolv 40a	55
Specifiche	57

Thank you for purchasing the Samson Resolv 40a Studio Reference Monitor System. The Samson Resolv 40a is a self-powered 40 Watt monitor system featuring an extended range 4" copolymer woofers and a 1" treated textile dome tweeters. The Resolv 40a system features one active monitor for the Left-side and a passive monitor for the Right-side. The Right-side unit houses the internal 2 by 20 watt stereo power amplifier and features a front panel volume control. On the rear panel you'll find the AC-inlet, Power switch and Terminal Cup for connecting the Left-side passive monitor. The Resolv 40a's attractive enclosures incorporate rear venting for extended low frequency response. The Resolv 40a is an ideal near field monitor system for studios, video post production suites, fixed installations or where great sound is desired.

In these pages, you'll find a detailed description of the features of the Resolv 40a subwoofer, as well as a guided tour through its control panel, step-by-step instructions for its setup and use, and full specifications. You'll also find a warranty card enclosed—please don't forget to fill it out and mail it in so that you can receive online technical support and so we can send you updated information about these and other Samson products in the future.

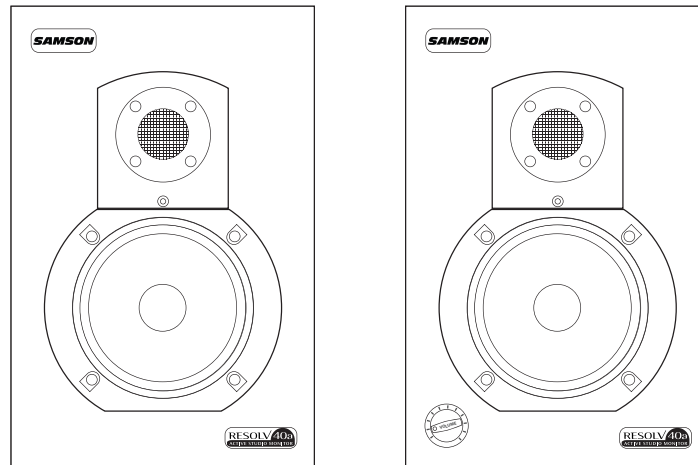
With proper care and adequate air circulation, your Resolv 40a will operate trouble free for many years. We recommend you record your serial number in the space provided below for future reference.

Serial number:

Date of purchase:

Should your unit ever require servicing, a Return Authorization number (RA) must be obtained before shipping your unit to Samson. Without this number, the unit will not be accepted. Please call Samson at 1-800-3SAMSON (1-800-372-6766) for a Return Authorization number prior to shipping your unit. Please retain the original packing materials and if possible, return the unit in the original carton and packing materials.

Resolv 40a Features

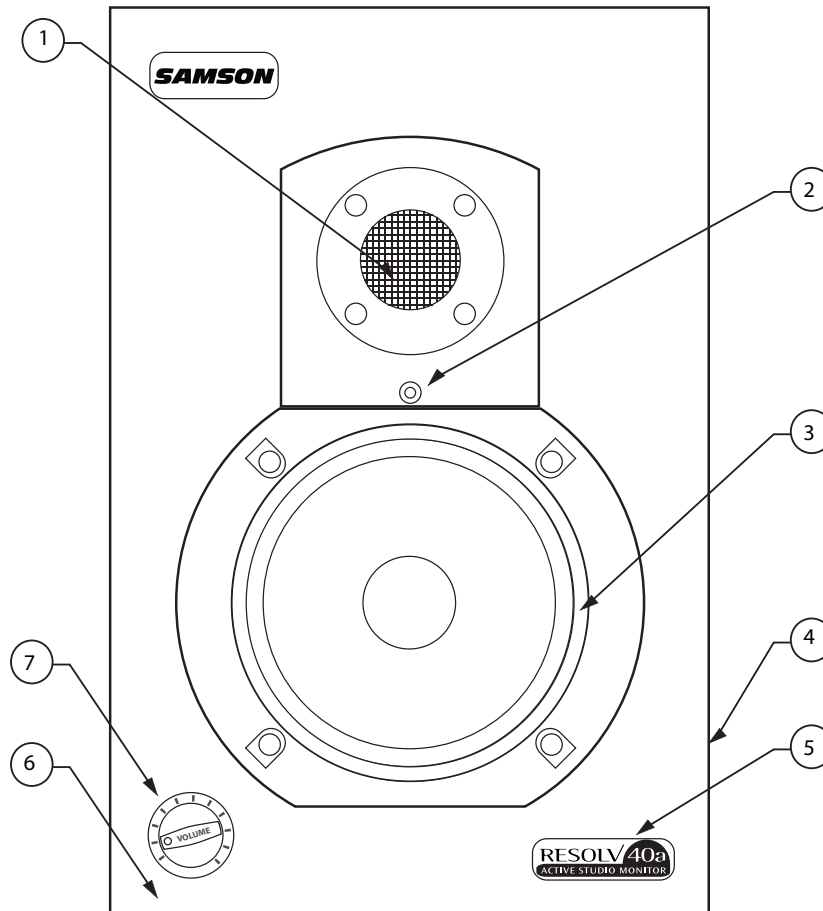


The Samson RESOLV 40a reference monitors provide a smooth response that is accurate, and at the same time pleasant to listen to. Here are some of its main features:

- Two-way, active studio reference monitor with ported tuned enclosure providing extremely accurate monitoring for recording studio, post-production and multi-media applications.
- 4" Copolymer Butyl Surround woofer provides tight and controlled low frequency response.
- 1" Treated Textile Dome High Frequency Driver.
- Two by 25 watts of internal power.
- Passive crossovers utilizing a multi-pole design for linear response from bottom to top.
- RCA inputs make connecting to most any signal source.
- A/V shielded for multimedia applications providing clean operation near computer monitors.
- 2 meter, 18-gauge speaker cable for Left-side Extension monitor included.
- Solid MDF (Medium Density Fiberboard) construction, maximum SPL.
- Black satin finish is attractive and durable thanks to the heavy vinyl covering.
- Three-year extended warranty.

Resolv 40a Layout

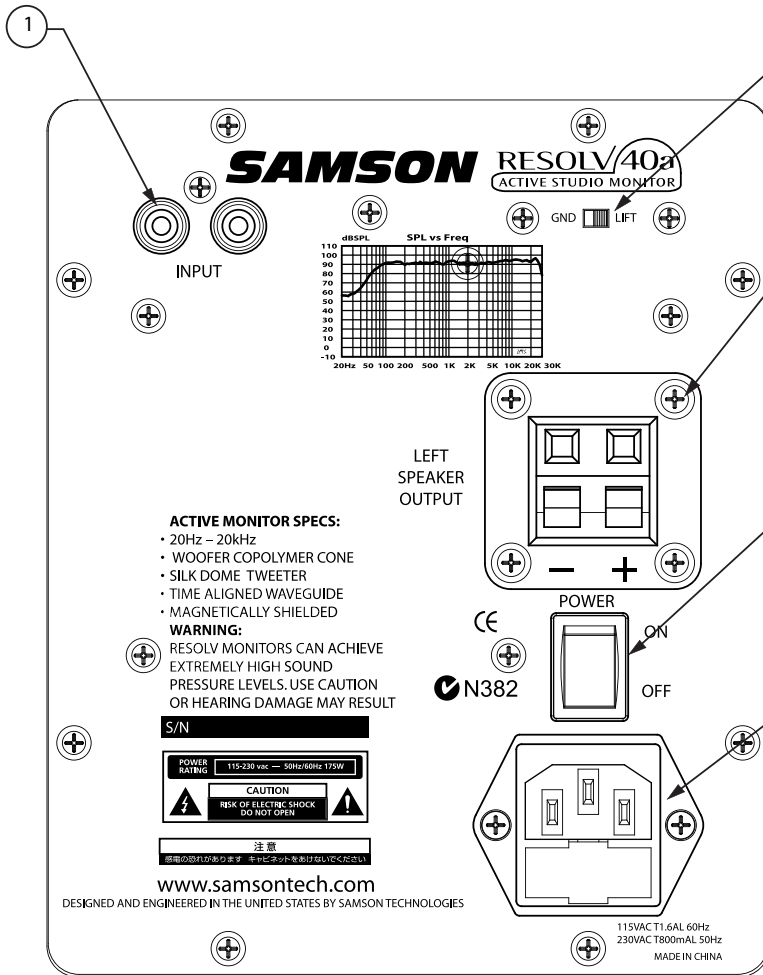
Front View Layout



- 1 1" TREATED TEXTILE DOME TWEETER** - Smooth high frequency response produced from treated textile dome.
- 2 POWER LED (ACTIVE)** - Blue LED illuminates indicating the unit is powered on, ready for operation.
- 3 4" LOW FREQUENCY DRIVER** - Heavy duty 4," extended range low frequency transducer.
- 4 TUNED PORT (REAR)** - Quiet port design offering linear extended low frequency response.
- 5 ENCLOSURE** - Rigid MDF construction.
- 6 FINISH** - Sleek black textured vinyl finish.
- 7 VOLUME (RIGHT SIDE ONLY)** - Controls the overall amount of output level.

Resolv 40a Layout

R40a Rear Panel Layout



1 RCA INPUT – Used to connect signals from unbalanced, –10dBV devices. The Red connector is the for Right input and the White is for the Left input.

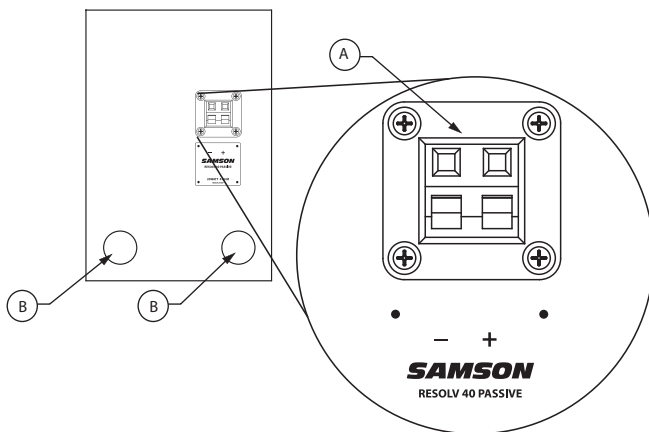
2 GROUND LIFT – Slide switch used to remove the signal ground from the RCA connectors.

3 TERMINAL CUP – Push Terminals for connecting the Left-side Extension Speaker.

4 POWER SWITCH – Main power switch. When set to the on position, the front panel blue LED illuminates indicating the Resolv 40a is powered up and ready for operation.

5 AC INLET - Connect the supplied IEC power cable here.

R40P Rear Panel Layout



A TERMINAL CUP – Push Terminals for connecting the Left-side Extension Speaker.

B TUNED PORT (REAR) - Quiet port design offering linear extended low frequency response.

Setting up the Resolv 40a

Background on the Resolv 40a Studio Reference Monitor

The Resolv 40a is a near field reference monitor featuring a custom designed, 4" copolymer, low frequency driver and a 1" treated textile tweeter, employing a Ferro fluid cooled voice coil and neodymium magnet. The monitor's crossover has been carefully designed with high quality components insuring a linear frequency and phase response. The Resolv 40a enclosure is constructed from MDF (Medium Density Fiberboard) and is finished in scuff resistant, textured paint. The monitor's enclosure also includes a tuned vent port that provides extended low-end response, and with a low turbulence design, the low frequency driver can move freely with minimal effect on the overall impedance. On the rear of one enclosure you'll find Resolv 40a's control panel, which features an RCA unbalanced input. This input is connected to Resolv 40a's internal stereo power module providing 25 watts per channel through passive crossovers.

Positioning the Resolv 40a

Near field monitoring has become the choice of many engineers in large and small studios because it minimizes the effect of room acoustics. This is especially important in today's project studios since the budget for room acoustics is often close to nothing. By positioning the reference monitors in the near field (close to the listeners), you can greatly reduce the effects of room acoustics. The most important considerations when evaluating the effects of room acoustics are reflective surfaces that are around the monitoring area. These can include flat tabletops, glass mirrors or framed pictures, large open walls and even the surface of your mixing console. Mostly all reflecting sound will eventually reach the listening position, but since it is slightly delayed from the direct source, the result is random cancellation of some frequencies, or comb filtering. If possible, remove any and all reflective surfaces. You may also want to hang some acoustic foam on walls that are close to the monitors. When positioning the monitors you'll want to set up what is commonly referred to as the "mix triangle". In this ideal configuration, the space between the left and right monitor is equal to the distance from the listener to each monitor, forming an equilateral triangle. (Figure 1.)

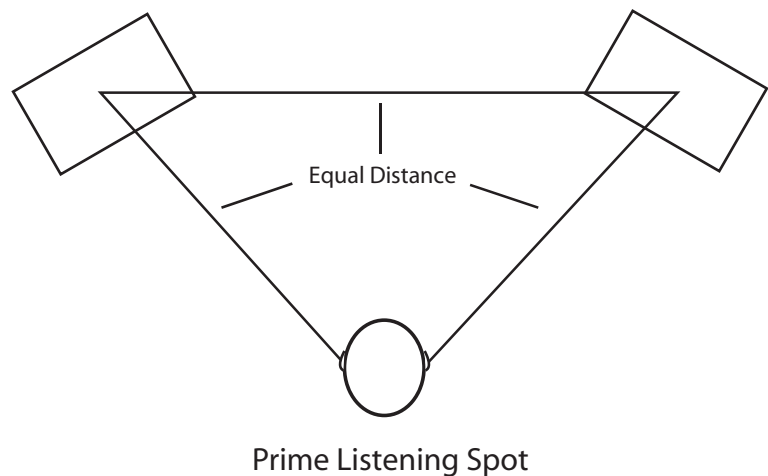


Figure 1.

Setting up the Resolv 40a

Positioning the Resolv 40a - continued

Speaker Orientation

The Resolv 40a's can be used in either the vertical or horizontal position. When using the monitors in the horizontal position, be certain to place the left and right side tweeters on the outer most sides. (Figure 2) This will improve the stereo imaging and bass response by increasing the coupling of the low-end drivers.



Figure 2.

A Moment of Reflection

When choosing the height of your monitor system, be careful to avoid reflections off the surface of the mixing console. (Figure 3.) These reflections arrive at the listening position slightly delayed from the original sound resulting in strange cancellations and overall unpredictable response. Visualize straight lines representing the beams of sound radiating from the monitors and choose a height that reduces the occurrence of reflections that will end up in the prime listening spot. (Figure 4.) In most cases, the ideal position is slightly behind and above the mixing console's meter bridge.

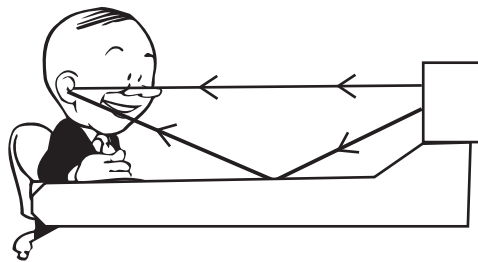


Figure 3.

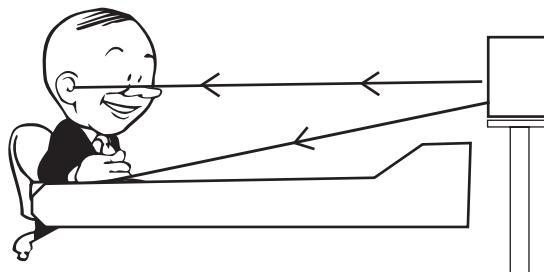


Figure 4.

Connecting the Resolv 40a

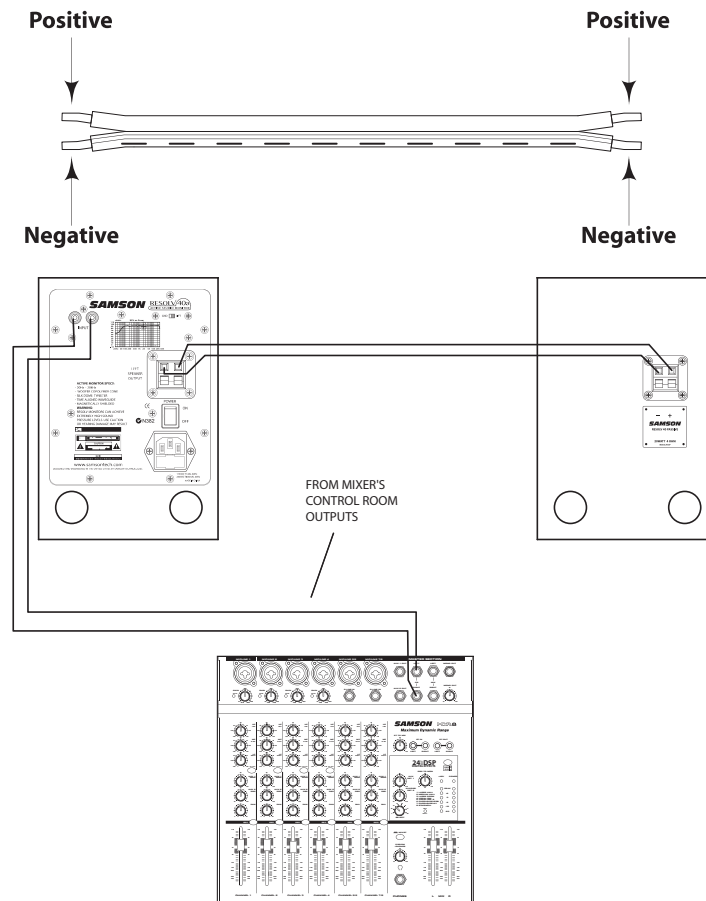
Resolv 40a Quick Connections

Note: Before plugging in and turning on, remember the “LAST ON FIRST OFF” rule of power amplifiers (and powered monitors). When powering up your system, be sure that all the wires are connected, turn your mixer and any other out-board gear on, and then last turn your Resolv 40a’s on. When powering down, turn your Resolv 40a’s off first and then your mixer and outboard gear.

The Resolv 40a connections can be made via the rear panel RCA Inputs. Follow the simple steps and diagram below for a quick connection using a standard recording console’s control room outputs.

- Using the included 18-gauge Extension Speaker cable, connect the negative side of the wire to the Black terminal and the positive side to the Red terminal on the Right-side monitor.
- Now, connect the Negative side of the wire to the Black terminal and the Positive side to the Red terminal on the Left-side monitor.

Note: Just about all un-shielded speaker wire will have a marking indicating the negative side. To avoid phase cancellation problems, be sure to maintain the correct connection for the positive and negative sides throughout your system.



- Lower your mixer’s master outputs to all the way off.
- Connect the mixer’s left Control Room output to the stereo input on the Right-side Resolv 40a .
- Set the Resolv 40a’s input Volume control to the 2 o’clock position.
- Run an audio signal (like some music from a CD) through your mixer and raise the Control Room level to a comfortable listening level.

Operating the Resolv 40a

Resolv 40a Rear Control Panel

The Resolv 40a's rear control panel is where you will make your connections for both AC power and audio signals. The following section details the rear panel controls and connections.

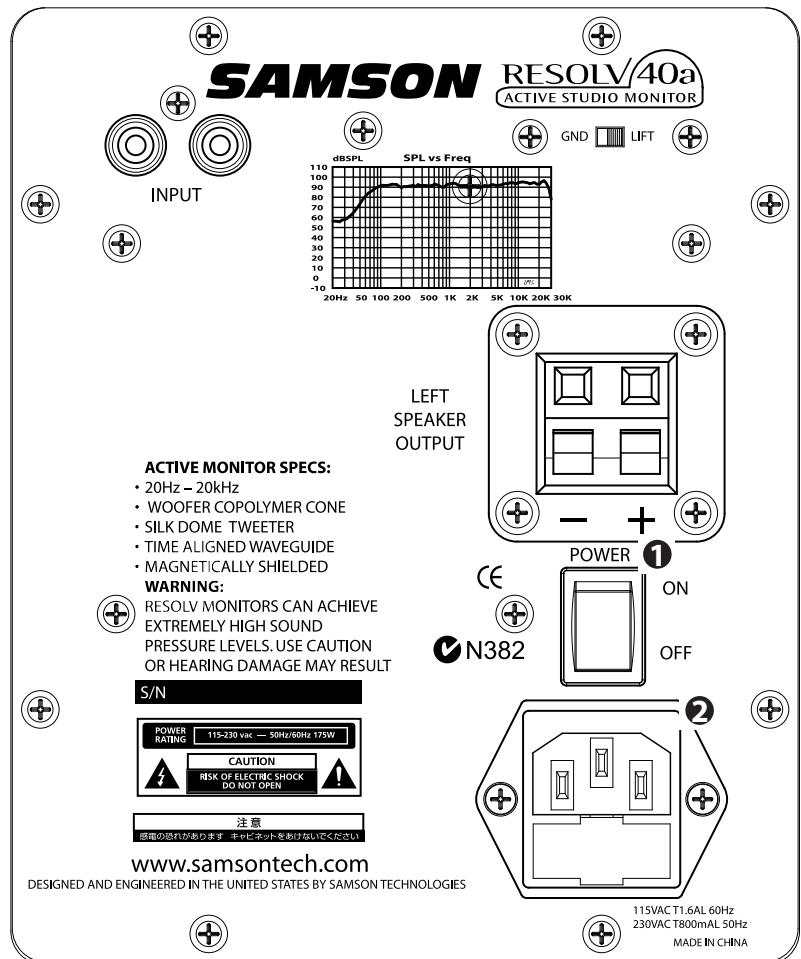
Powering the Resolv 40a

Since the Resolv 40a is an active studio monitor with an on-board power amplifier, it is necessary to connect the unit to an AC power supply. Make sure that the main Power switch is set to the off position and connect the supplied IEC power cable into the AC inlet.

Things that go Hum!

When running power cables, be careful not to run the AC power cords or AC extension cords in parallel to your input cables. This will help reduce any AC hum that can be picked up. If you have to cross an AC line with an audio line, try to cross them at a 90 degree angle for the least amount of induced hum.

- 1 **POWER SWITCH** – The POWER switch is used to turn on the Resolv 40a's active electronics. When set to the on position, the front panel blue LED illuminates, indicating the Resolv 40a is powered up and ready for operation.
- 2 **AC INLET** - Connect the supplied IEC power cable here.



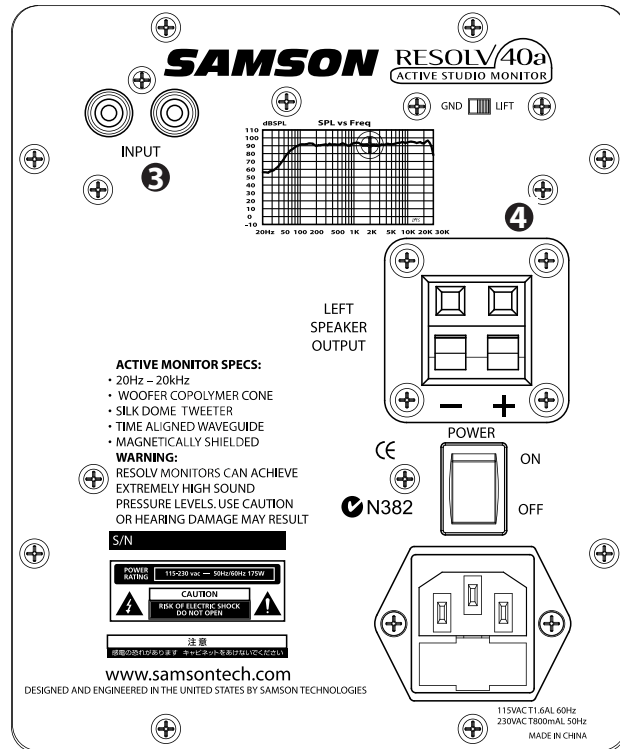
Operating the Resolv 40a

Resolv 40a Rear Control Panel - continued

The Ins and The Outs

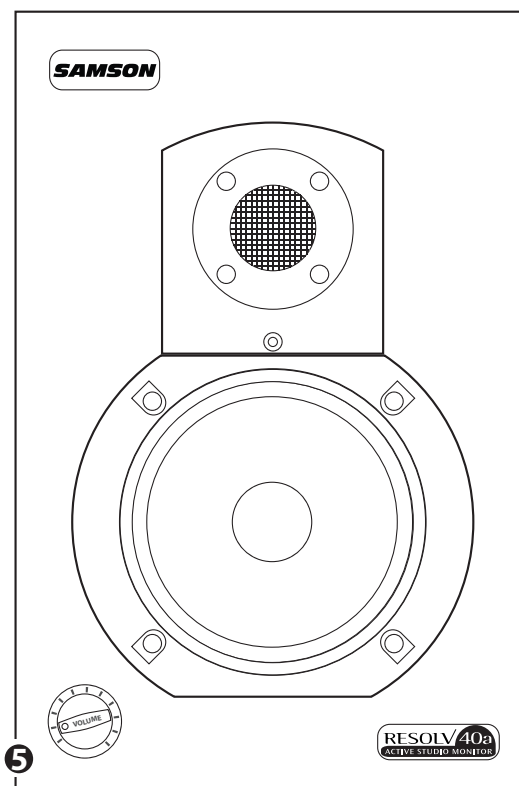
The Resolv 40a features a stereo pair of input connectors providing easy installation with a variety of audio devices like recording consoles, hard disk recorders, CD players and computer sound cards, to name a few. The following section details the Resolv 40a's input connectors. In addition, there is a detailed cable-wiring diagram on page 12.

- ③ **RCA AUDIO INPUT** – The RCA input accepts unbalanced signals used to connect signals from unbalanced –10dBV devices.
- ④ **TERMINAL CUP** – Push Terminals for connecting the Left-side Extension Speaker.



Resolv 40a Front Control Panel

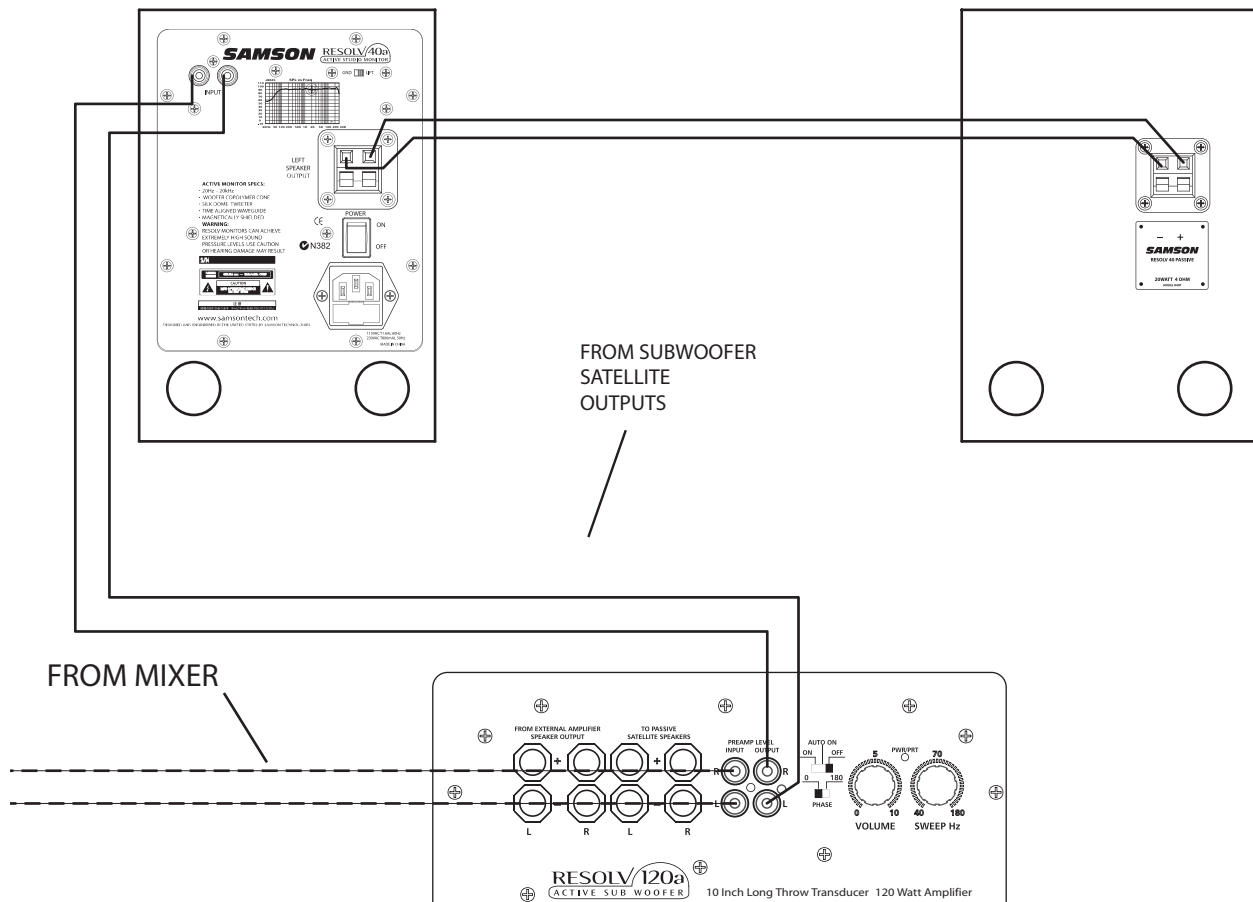
- ⑤ **VOLUME CONTROL - (FRONT PANEL)**
The volume control is used to adjust the overall output level of the Resolv 40a. When operating the unit for the first time, start with the volume control set all the way off. Slowly raise the Volume control to reach a comfortable listening level.



Connecting to the Resolv120a Subwoofer

Resolv 40a with Mono Sub

Adding a subwoofer and extended low frequency response to your Resolv 40a system is easy using the Resolv 40a's LINE LEVEL inputs. Below is a typical system set-up using the RESOLV 120a with a mixer and a pair of Resolv 40a's satellite speakers. The Resolv 40a's inputs utilize industry standard RCA connectors. For a detailed wiring diagram, see the section "Resolv 40a Connections" on page 12. Follow the steps in the diagram below to set up your system.



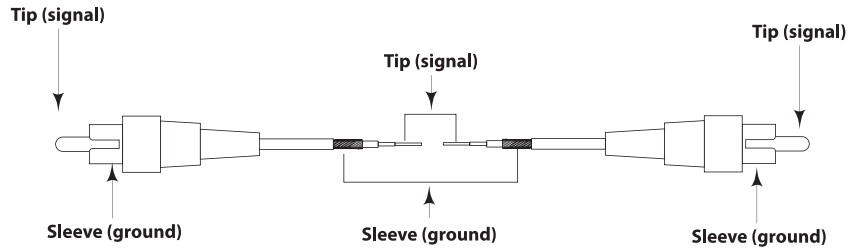
- Lower your mixer's master outputs to all the way off.
- Connect the mixer's left output to the RESOLV 120's LEFT LINE INPUT and the mixer's right output to the RESOLV 120's RIGHT LINE INPUT. Now connect the RESOLV 120's LEFT LINE OUTPUT to the left input of the Resolv 40a, and the RESOLV 120's RIGHT LINE OUTPUT to the right input of the Resolv 40a.
- Run an audio signal (like some music from a CD) through your mixer and raise the level to a comfortable listening level.
- Now adjust the SWEEP control to the desired frequency. Consult your studio monitors owner's manual for a recommended crossover point. You can also use your ears by adjusting the SWEEP control to the frequency that sounds good to you. A good place to start is about 70 Hz.

Resolv 40a Connections

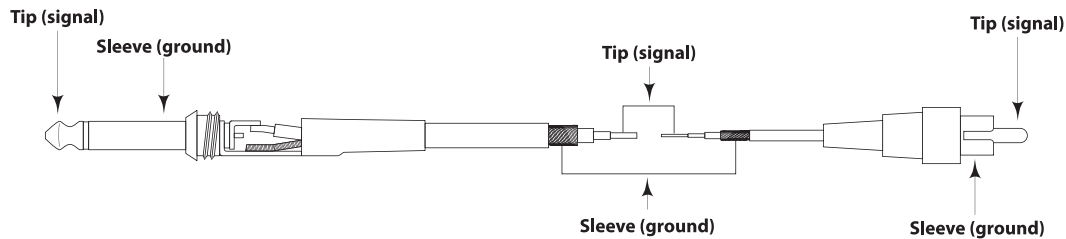
Resolv 40a Wiring Guide

There are several ways to interface the Resolv 40a, depending on your exact monitoring set-up. Follow the cable diagrams below for connecting your monitor system.

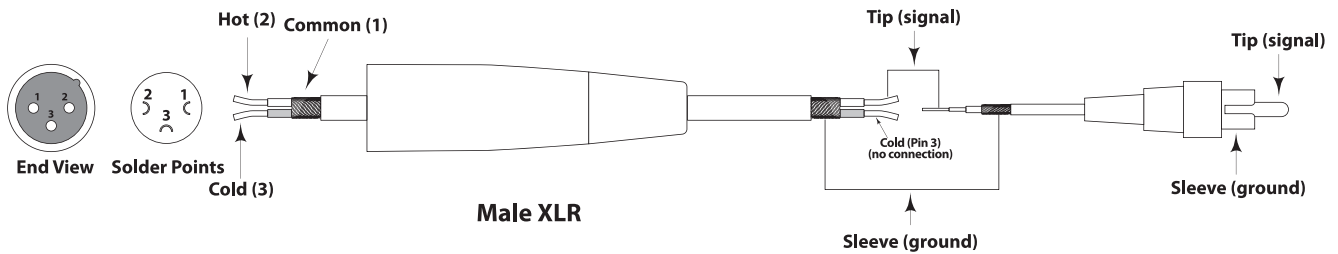
RCA to RCA Cable



Unbalanced 1/4" to RCA Cable



Un-Balanced XLR to RCA Cable



Introduction

Merci d'avoir porté votre choix sur les moniteurs de studio Samson Resolv 40a. Les moniteurs Samson Resolv 40a sont amplifiés (40 Watts) et disposent d'un Woofer de 102 mm (4 pouces) avec membrane en copolymère et d'un Tweeter à dôme en tissu imprégné de 25 mm (1 pouce). Les Resolv 40a sont composés d'un moniteur actif pour le côté droite et d'un moniteur passif pour celui de gauche. L'amplificateur de puissance stéréo (2 x 25 Watts) est intégré au moniteur de droite, qui est aussi muni d'un réglage de volume en façade. Sa face arrière regroupe l'embase secteur, l'interrupteur secteur et la plaque de borniers permettant la connexion du moniteur passif de gauche. Le baffle élégant des Resolv 40a est doté d'un évent à l'arrière, permettant ainsi d'obtenir une réponse étendue dans les basses fréquences. Les Resolv 40a sont d'excellents moniteurs de proximité pour les studios, la post-production vidéo, les installations fixes ou pour n'importe quelle application nécessitant une sonorité de haute qualité.

Dans ces pages, vous trouverez une description détaillée de toutes les fonctions des moniteurs Resolv 40a, ainsi qu'une description des réglages, des connexions, de son utilisation et de ses caractéristiques techniques. Vous trouverez également une carte de garantie : n'oubliez pas de la compléter et de nous l'envoyer afin que vous puissiez bénéficier de l'assistance technique en ligne et recevoir les informations concernant les produits Samson.

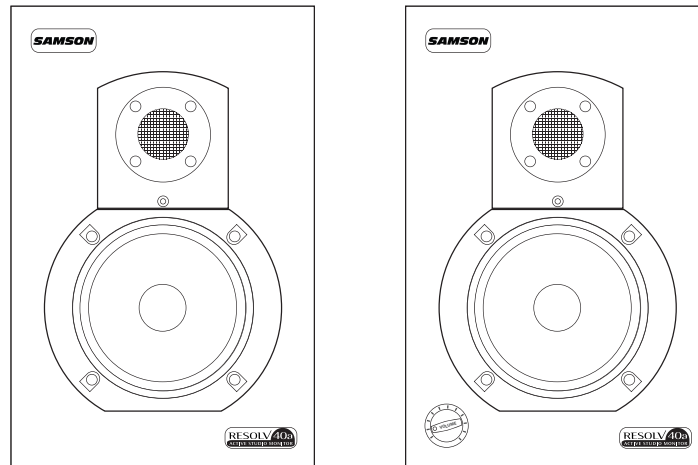
Installez et utilisez votre moniteur Resolv 40a avec soin et veillez à assurer une ventilation suffisante. Nous vous recommandons d'inscrire votre numéro de série ci-dessous pour consultation ultérieure :

Numéro de série : _____

Date d'achat : _____

Si vous devez faire réparer votre appareil, vous devez tout d'abord obtenir un numéro de retour auprès de Samson. Sans ce numéro, l'appareil sera refusé. Contactez Samson aux USA au : 1-800-3SAMSON (1-800-372-6766) ou contactez votre revendeur. Les conditions de garantie et de retour varient selon le pays de distribution. Conservez l'emballage d'origine afin de l'utiliser pour tout retour en atelier.

Caractéristiques des moniteurs Resolv 40a

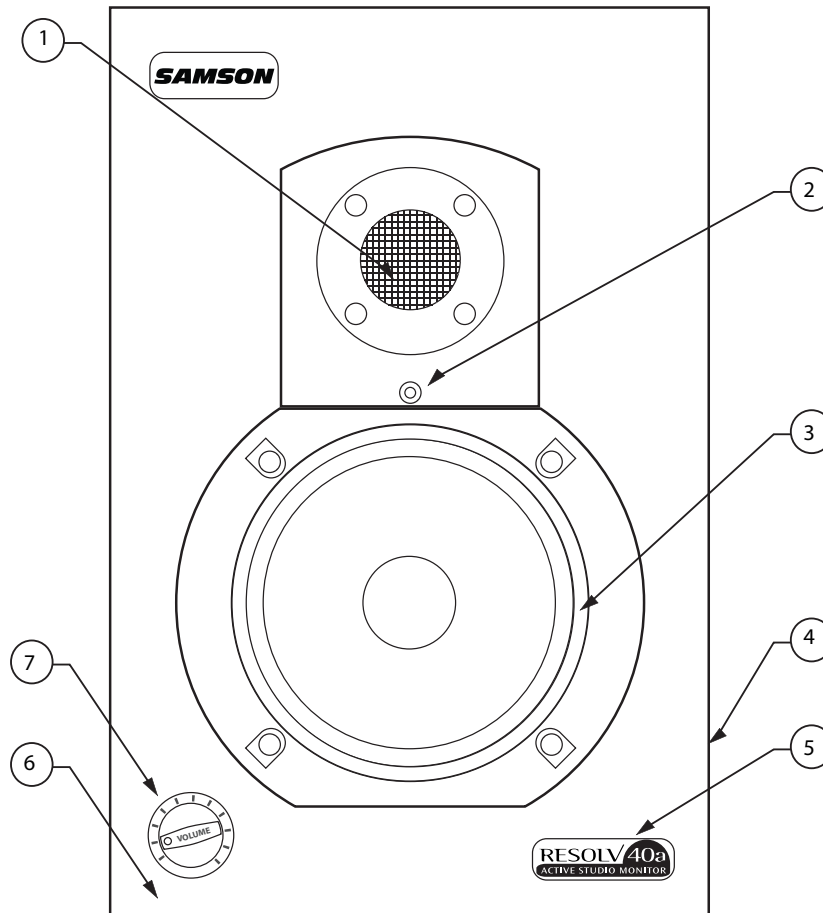


Les moniteurs Samson RESOLV 40a offrent une réponse linéaire et précise tout en restant très agréables à l'écoute. Voici les caractéristiques générales :

- Moniteur de studio actif deux voies avec baffle accordé offrant une écoute extrêmement fidèle pour les studios d'enregistrement, de post-production et les applications multimédia.
- Woofer de 102 mm (4 pouces) avec suspension en copolymère Butyle permettant une réponse précise et étendue dans les basses fréquences.
- Tweeter à dôme en tissu imprégné de 25 mm (1 pouce).
- Amplification intégrée (2 x 25 Watts).
- Filtres passifs multi-pôle pour une réponse linéaire sur toute l'étendue du spectre sonore.
- Entrées RCA permettant la connexion de pratiquement n'importe quelle source.
- Blindage magnétique pour les applications multimédia (utilisation près d'écrans vidéo).
- Câble de haut-parleur de 1 mm de diamètre et de 2 m de longueur pour la connexion du moniteur d'extension de gauche.
- Baffle en panneaux de particules MDF, pour une puissance maximale exempte de vibration.
- Finition noire satinée très robuste en vinyle résistant.
- Garantie étendue de trois ans.

Présentation des moniteurs Resolv 40a

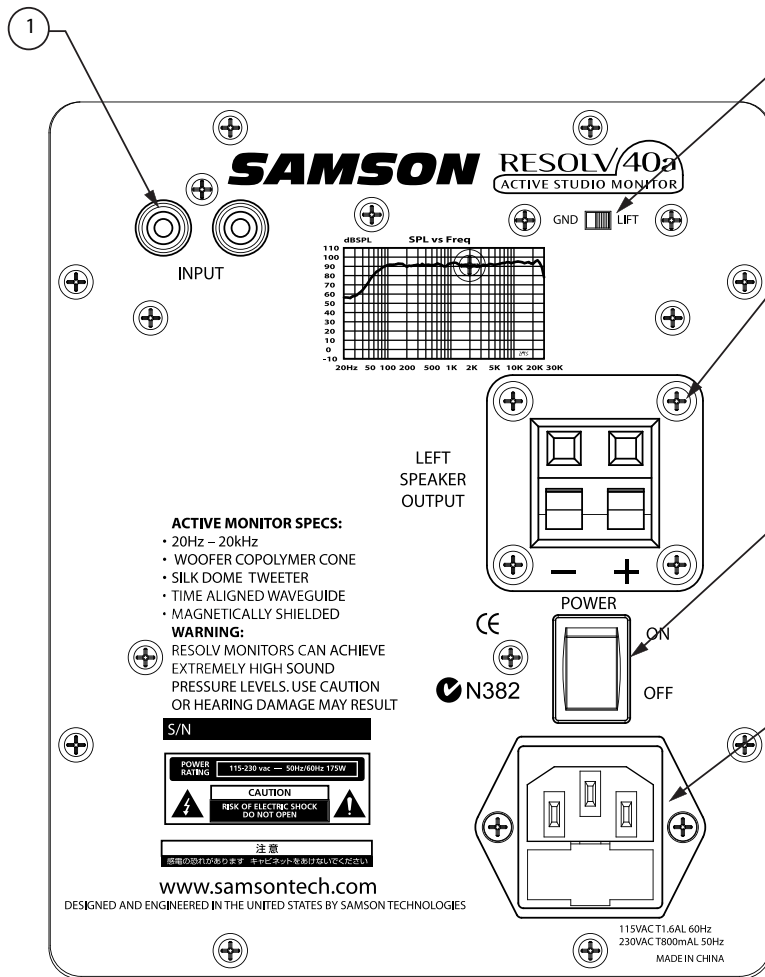
Face avant



- 1 TWEETER À DÔME EN TISSU IMPRÉGNÉ DE 25 mm (1 POUCE)** - Réponse douce dans les aigus assurée par le dôme en tissu imprégné.
- 2 LED POWER (SUR MONITEUR ACTIF)** - La Led bleue indique que le moniteur est sous tension et prêt à l'utilisation.
- 3 WOOFER DE 102 mm (4 POUCE)** - Woofer renforcé de 102 mm à réponse étendue dans les basses fréquences.
- 4 ÉVENT ACCORDÉ (À L'ARRIÈRE)** - Évent accordé offrant une réponse linéaire étendue dans les basses fréquences.
- 5 BAFFLE** - Baffle à panneaux de particules MDF.
- 6 FINITION** - Superbe finition noire.
- 7 VOLUME (SUR MONITEUR DE DROITE)** - Détermine le niveau général.

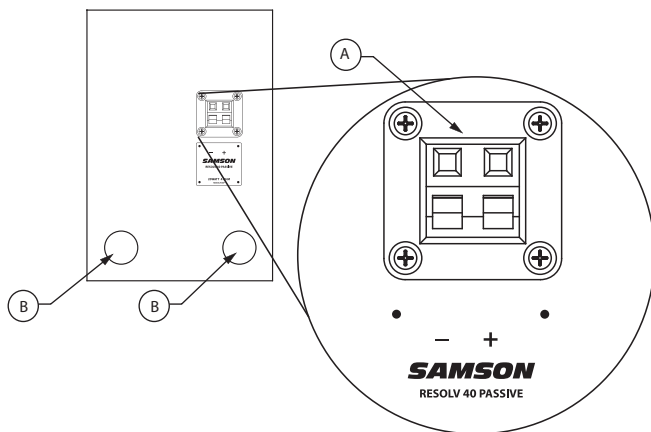
Présentation des moniteurs Resolv 40a

Face arrière des R40a



- 1 **ENTRÉE RCA** – L'entrée RCA accepte les signaux asymétriques à niveau grand public (-10 dB). Le connecteur rouge est l'entrée de droite, et le blanc l'entrée de gauche.
- 2 **GROUND LIFT** – Commutateur permettant de couper la mise à la masse des connecteurs RCA.
- 3 **PLAQUE DE BORNIERES** - Borniers à ressort pour la connexion du moniteur d'extension de gauche.
- 4 **INTERRUPTEUR SECTEUR** - Interrupteur secteur principal. Les Resolv 40a sont équipés d'une Led bleue en face avant allumée lors du fonctionnement.
- 5 **EMBASE SECTEUR** - Utilisez cette embase pour connecter le cordon secteur fourni.

Face arrière des R40P



- A **PLAQUE DE BORNIERES** - Borniers à ressort pour la connexion du moniteur d'extension de gauche.
- B **ÉVENT ACCORDÉ (À L'ARRIÈRE)** - Évent accordé offrant une réponse linéaire étendue dans les basses fréquences.

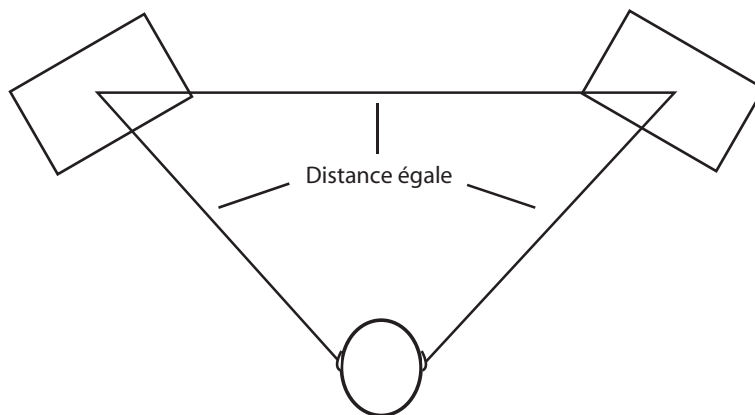
Configuration des moniteurs Resolv 40a

Généralités sur les moniteurs de référence Resolv 40a

Les Resolv 40a sont des moniteurs de référence de proximité équipés d'un Woofer de 102 mm (4 pouces) avec membrane en Copolymère et d'un Tweeter en tissu imprégné de 25 mm (1 pouce) avec bobine Ferro fluide refroidie et aimant au néodymium. Le filtre actif du moniteur a été conçu avec des composants de très haute qualité pour assurer une réponse en fréquence linéaire tout en minimisant les déphasages dans les zones de transition. Le baffle du Resolv 40a est construit à base de panneaux de particules de moyenne densité (MDF) recouverts d'une peinture ultra-résistante. Le baffle du moniteur est équipé d'un évent accordé offrant une réponse étendue dans les basses fréquences avec une génération minimum de turbulences acoustiques : le Woofer peut se déplacer en toute liberté, avec une incidence minimale sur les variations d'impédance. En face arrière, vous trouverez les réglages du Resolv 40a ainsi qu'une entrée asymétrique RCA. Cette entrée est directement reliée au module stéréo interne avec filtres passifs du moniteur Resolv 40a, délivrant une puissance de 25 Watts par canal.

Positionnement des moniteurs Resolv 40a

L'écoute de proximité est devenue le moyen de contrôle privilégié par les ingénieurs du son dans les studios de petite ou de grande taille car ce type d'écoute minimise l'incidence de l'acoustique de la pièce sur l'écoute. Ceci est particulièrement important dans les studios de maquette d'aujourd'hui où le budget de traitement acoustique de la pièce d'écoute est très faible, voire nul. En plaçant les moniteurs à proximité de l'auditeur, vous réduisez grandement l'incidence de l'acoustique de la pièce sur la sonorité globale. Le problème le plus important dans l'acoustique de la pièce vient des surfaces réfléchissantes autour de la zone d'écoute. Celles-ci peuvent être constituées de tables, de miroirs ou de cadres, de murs de grandes dimensions, voire même la surface de votre console de mixage. Les sons réfléchis atteignent l'auditeur d'une façon ou d'une autre, mais les retards produits par les réflexions génèrent des déphasages sonores, atténuations de certaines fréquences ou effets de filtre en peigne. Si possible, supprimez toutes les surfaces réfléchissantes. Il est possible de tendre un tissu acoustique sur les murs près des moniteurs. Il est important de créer un "triangle d'écoute". Grâce à cette configuration idéale, l'auditeur et les moniteurs forment un triangle équilatéral parfait (Figure 1).



Point d'écoute

Figure 1.

Configuration des moniteurs Resolv 40a

Positionnement des moniteurs Resolv 40a - suite...

Orientation des enceintes

Les moniteurs Resolv 40a peuvent être utilisés en position verticale ou horizontale. Lorsque vous les utiliser en position horizontale, assurez-vous de placer les Tweeters à l'extérieur des enceintes (Figure 2), ce qui améliorera la définition stéréo et la réponse dans les basses en améliorant le couplage des Woofers.



Figure 2.

Quelques réflexions...

Lorsque vous choisissez la hauteur de vos moniteurs, évitez de créer des réflexions sur la surface de la console (Figure 3). Ces réflexions atteignent la position d'écoute avec un léger retard, ce qui entraîne des annulations de fréquences et une réponse incontrôlables. Représentez-vous des lignes droites représentant la projection du signal sonore en provenance des moniteurs et sélectionnez une hauteur permettant de réduire les réflexions atteignant le point d'écoute (Figure 4). Dans la plupart des cas, la position idéale correspond au point situé au-dessus et en arrière du bandeau de VU-mètres.

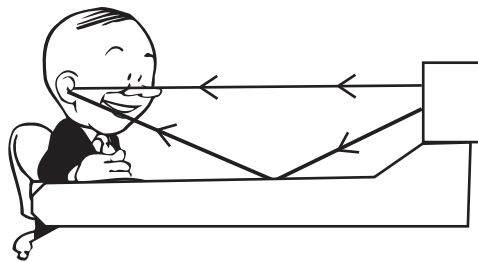


Figure 3.

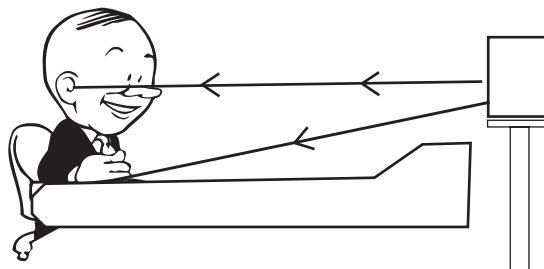


Figure 4.

Connexions des moniteurs Resolv 40a

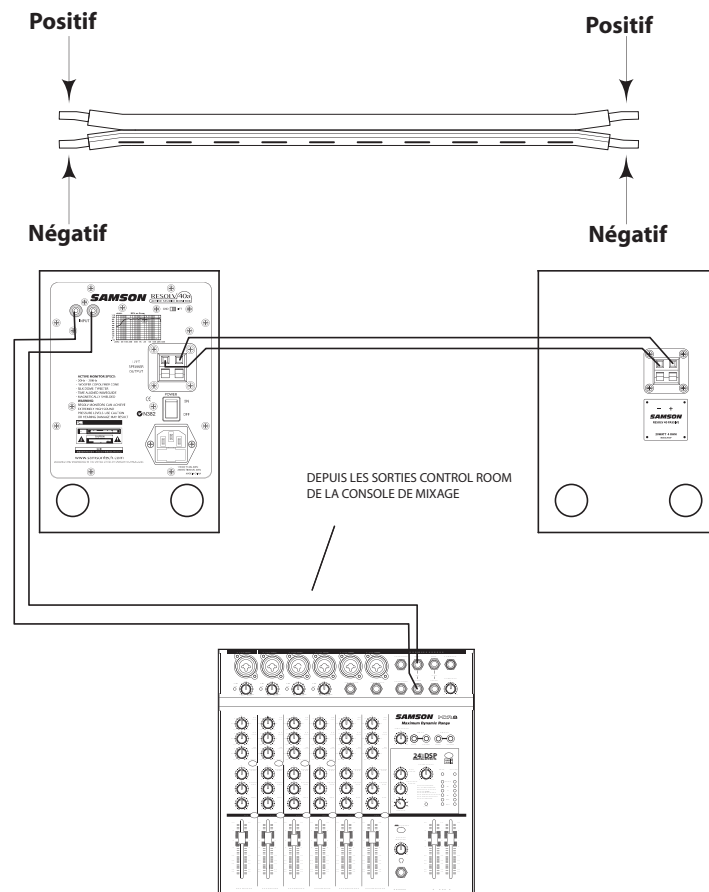
Connexion rapide des moniteurs Resolv 40a

Remarque : Avant de réaliser les connexions et de placer les enceintes sous tensions, souvenez-vous de la règle de mise sous tension/hors tension des équipements. L'appareil placé sous tension en dernier doit être placé hors tension en premier. Avant la mise sous tension, assurez-vous que tous les câblages sont corrects. Placez votre console de mixage sous tension ainsi que tous les équipements externes, puis, en dernier, les moniteurs Resolv 40a. Lors de la mise hors tension, placez les Resolv 40a hors tension en premier, puis la console de mixage et les équipements périphériques.

Les connexions des Resolv 40a peuvent être effectuées à l'aide des entrées RCA en face arrière. Suivez les étapes et le schéma ci-dessous pour une connexion rapide aux sorties d'une console de mixage standard.

- Reliez le côté négatif du câble de haut-parleur de 1 mm de diamètre fourni au bornier noir du moniteur de droite, et le côté positif au bornier rouge du moniteur de droite.
- Reliez le côté négatif au bornier noir du moniteur de gauche, et le côté positif à son bornier rouge.

Remarque : Pratiquement tous les câbles de haut-parleur non blindés ont une marque indiquant le côté négatif. Assurez-vous de respecter la polarité lorsque vous effectuez les connexions de votre système afin d'éviter tout problème d'annulation de phase.



- Diminuez le niveau de sortie de votre console de mixage au minimum.
- Connectez la sortie Control Room gauche de la console de mixage à l'entrée stéréo du Resolv 40a de droite.
- Réglez le volume des Resolv 40a en position 2 heures.
- Utilisez le signal d'un CD pour réaliser des essais, et augmentez le niveau de sortie Control Room de la table de mixage jusqu'à un niveau d'écoute confortable.

Utilisation des moniteurs Resolv 40a

Réglages des Resolv 40a

La face arrière des Resolv 40a regroupe les connexions audio et l'embase secteur. Cette section donne des détails sur les réglages en face arrière.

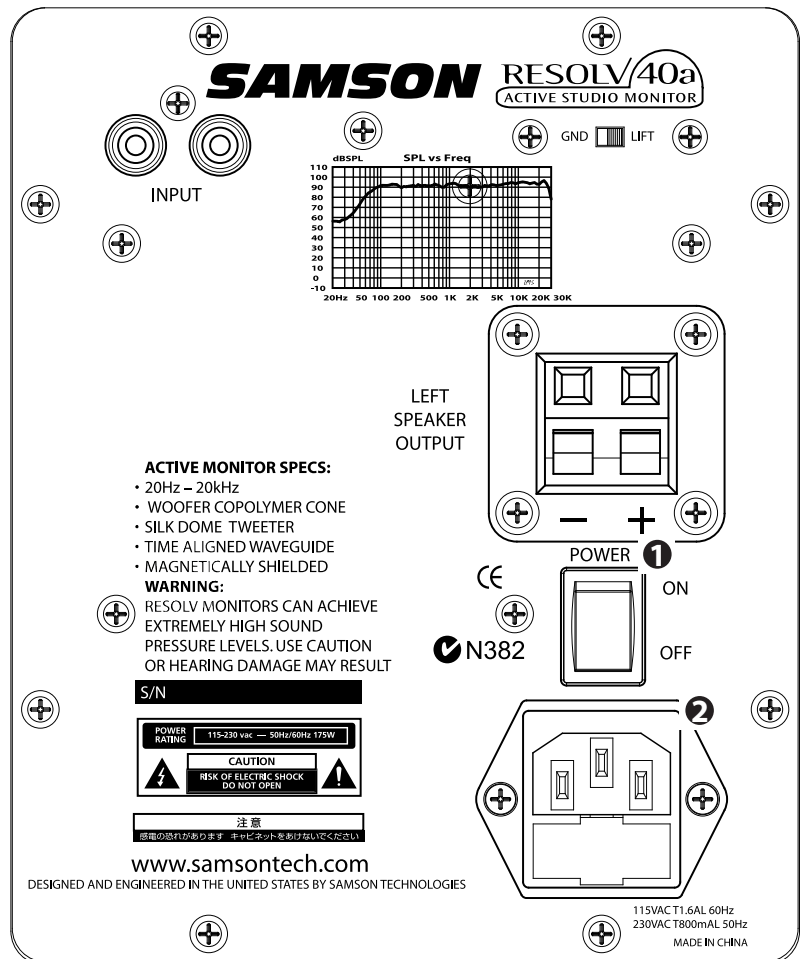
Mise sous tension des Resolv 40a

Puisque les Resolv 40a sont des moniteurs actifs avec amplificateur intégré, il est nécessaire de les raccorder au secteur pour assurer leur fonctionnement. Assurez-vous que l'interrupteur secteur de la face arrière est sur OFF avant de connecter le cordon secteur.

Ronflements

Veillez à toujours séparer les cordons secteur des câbles audio pour éviter toute induction de ronflement. Si vous devez croiser les cordons, veillez à les croiser avec un angle de 90 degrés.

- 1 INTERRUPTEUR SECTEUR** – L'interrupteur secteur POWER permet de placer les moniteurs sous/hors tension. Les Resolv 40a sont équipés d'une Led bleue en face avant qui s'allume lors du fonctionnement.
- 2 EMBASE SECTEUR** - Utilisez cette embase pour connecter le cordon secteur fourni.



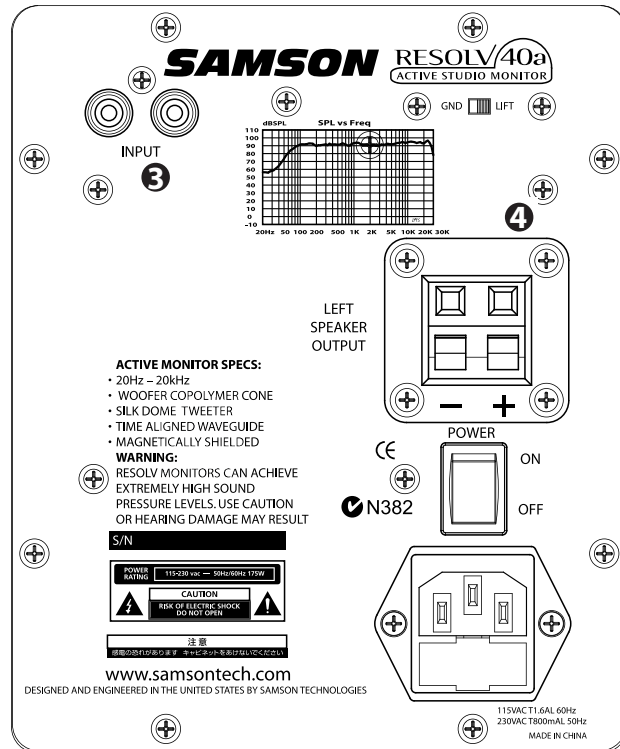
Utilisation des moniteurs Resolv 40a

Réglages des moniteurs Resolv 40a - suite...

Entrées et sorties

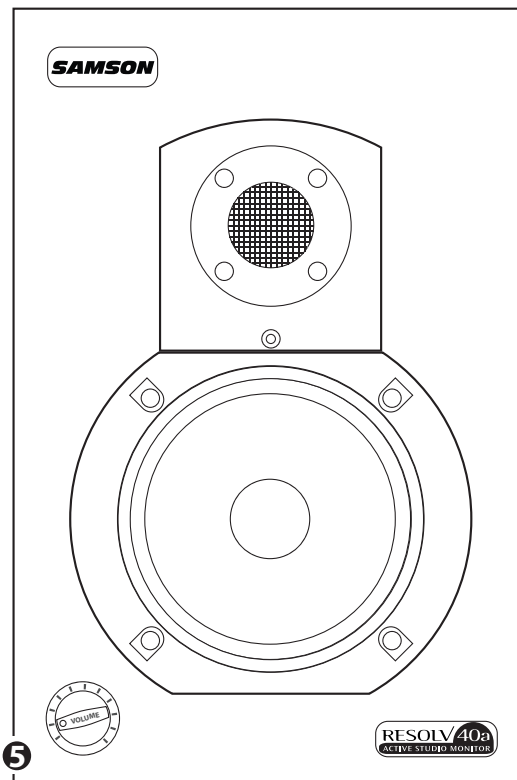
Les Resolv 40a disposent d'une paire de connecteurs d'entrée stéréo pour assurer une installation simple avec de nombreux équipements audio (consoles d'enregistrement, enregistreurs D-t-D, lecteurs de CD, cartes son, etc.). Le chapitre suivant décrit avec précision les connecteurs d'entrée des Resolv 40a. Consultez également les plans de câblage de la page 12.

- ③ **ENTRÉE RCA** – L'entrée RCA accepte les signaux asymétriques à niveau grand public (-10 dB).
- ④ **PLAQUE DE BORNIER** – Borniers à ressort permettant de connecter le moniteur d'extension de gauche.



Réglage en façade des Resolv 40a

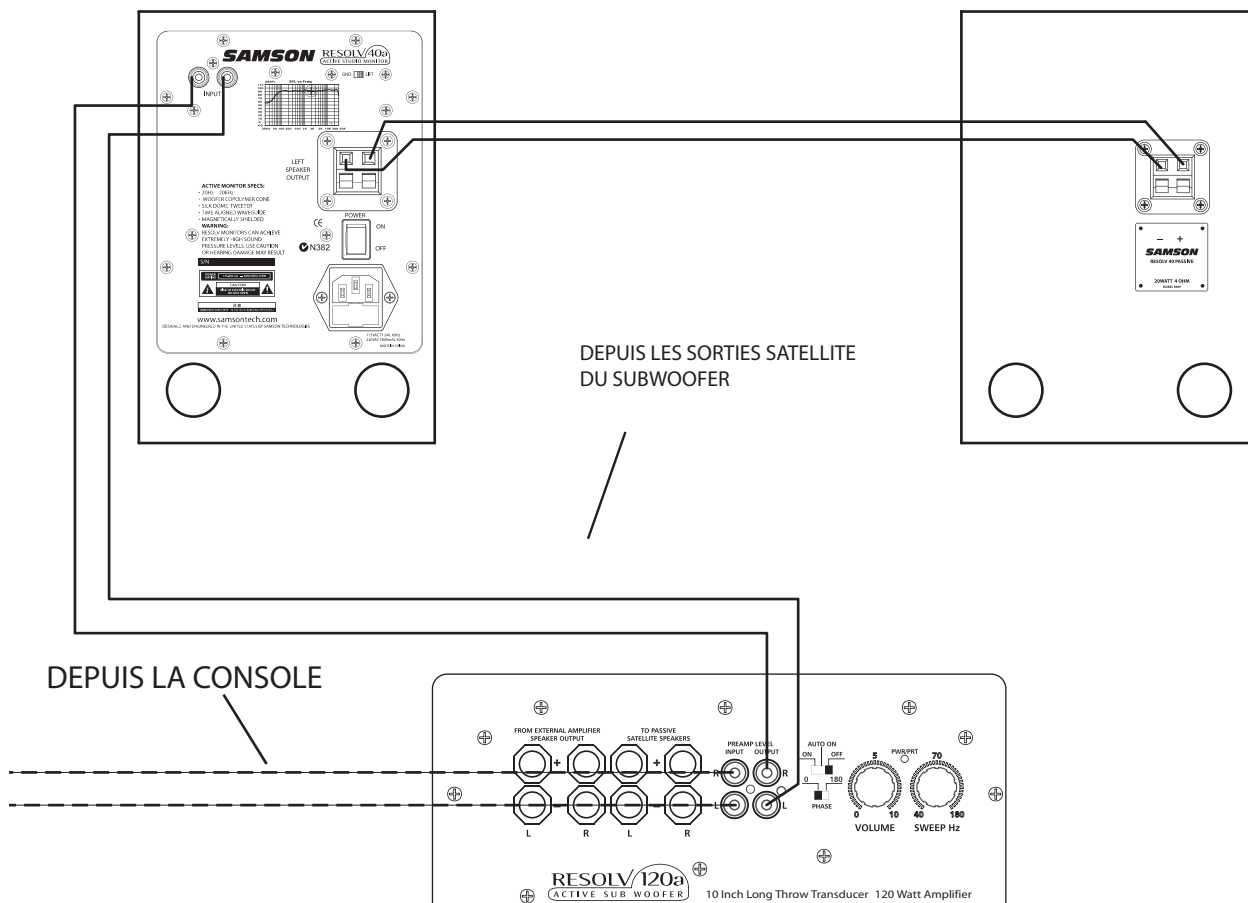
- ⑤ **VOLUME** - Le volume détermine le niveau sonore du Resolv 40a. Lorsque vous utilisez les moniteurs pour la première fois, placez le volume au minimum et augmentez-le progressivement.



Connexion au Subwoofer Resolv120a

Moniteur Resolv 40a avec Subwoofer mono

L'adjonction d'un Subwoofer permettant d'obtenir une réponse étendue dans le bas du spectre est très simple : il vous suffit d'ajouter un Sub RESOLV 120a connecté aux entrées à niveau ligne du Resolv 40a. Voici le plan de câblage type permettant d'utiliser le RESOLV 120a avec une console de mixage et deux satellites Resolv 40a. Les entrées des Resolv 40a sont au format RCA. Pour obtenir un guide détaillé du câblage des entrées, consultez la page 12. Suivez les étapes ci-dessous pour configurer votre système.



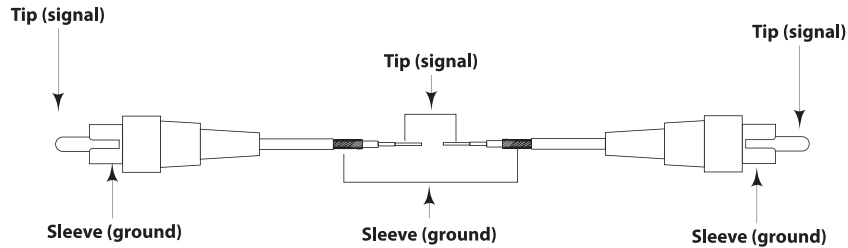
- Diminuez le niveau de sortie de votre console de mixage au minimum.
- Connectez la sortie gauche de la console de mixage à l'entrée LEFT LINE INPUT du RESOLV 120a, et la sortie droite de la console de mixage à l'entrée RIGHT LINE INPUT du RESOLV 120a. Reliez la sortie gauche LEFT LINE OUTPUT du RESOLV 120a à l'entrée gauche du Resolv 40a, et la sortie droite RIGHT LINE OUTPUT du RESOLV 120a à l'entrée droite du Resolv 40a.
- Utilisez le signal d'un CD pour réaliser les essais, en augmentant le niveau de la sortie Control Room de la table de mixage jusqu'à ce que vous obteniez un niveau d'écoute confortable.
- Réglez maintenant la fréquence de coupure du filtre actif du Subwoofer sur la fréquence souhaitée. Consultez les modes d'emploi de vos moniteurs pour la fréquence recommandée. Vous pouvez également utiliser le réglage SWEEP pour sélectionner la fréquence de coupure qui vous convient le mieux à l'oreille. La fréquence de départ recommandée est 70 Hz.

Connexion des entrées des moniteurs Resolv 40a

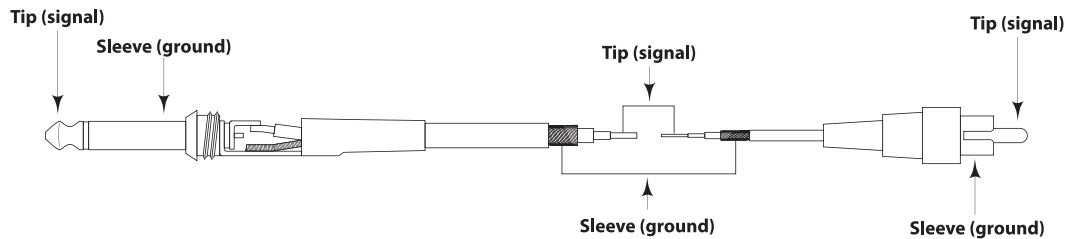
Plan de câblage des moniteurs Resolv 40a

Il y a différentes façons d'utiliser les moniteurs Resolv 40a selon votre configuration matérielle. Suivez les plans de câblage suivants correspondant à vos besoins.

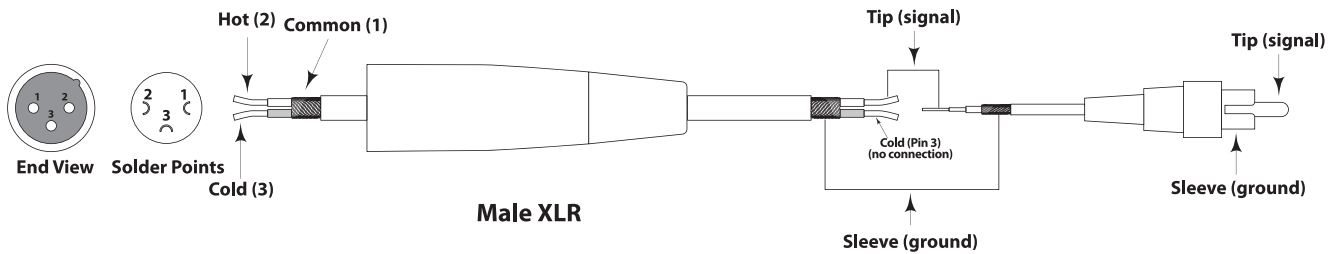
Câble RCA/RCA



Câble asymétrique Jack 6,35 mm à RCA



Câble asymétrique XLR à RCA



Herzlichen Dank für den Kauf des Samson Resolv 40a Studio Reference Monitor Systems. Das Samson Resolv 40a ist ein aktives 40 Watt Monitorsystem, das sich durch einen 4" Copolymer Woofer mit erweitertem Bereich und einen 1" Dome Tweeter aus behandeltem Textil auszeichnet. Das Resolv 40a System verfügt über einen aktiven Monitor für die rechte Seite und einen passiven Monitor für die linke Seite. Das rechte Gerät enthält die interne 2 x 20 Watt Stereo-Endstufe und verfügt über einen vorderseitigen Pegelregler. Auf der Rückseite befindet sich der Netzanschluss, Netzschalter sowie die Terminal-Ausbuchtung zum Anschluss des linken, passiven Monitors. Die eleganten Gehäuse des Resolv 40a bieten eine rückseitige Belüftung zur Erweiterung des Bass-Frequenzgangs. Das Resolv 40a ist das ideale Nahfeld-Monitorsystem für Studios, Video Post Production Suites, Festinstallationen und alle Gelegenheiten, die einen großartigen Sound erfordern.

Auf diesen Seiten finden Sie eine detaillierte Erläuterung der Funktionen des Resolv 40a Studio Reference Monitor Systems sowie eine Führung durch das Bedienfeld, schrittweise Anleitungen für die Einrichtung und Anwendung plus umfassende Spezifikationen. Bitte vergessen Sie nicht, die beiliegende Garantiekarte ausgefüllt an uns zurückzusenden, damit Sie online technischen Support erhalten und wir Ihnen zukünftig aktuelle Informationen über dieses und andere Samson-Produkte zukommen lassen können.

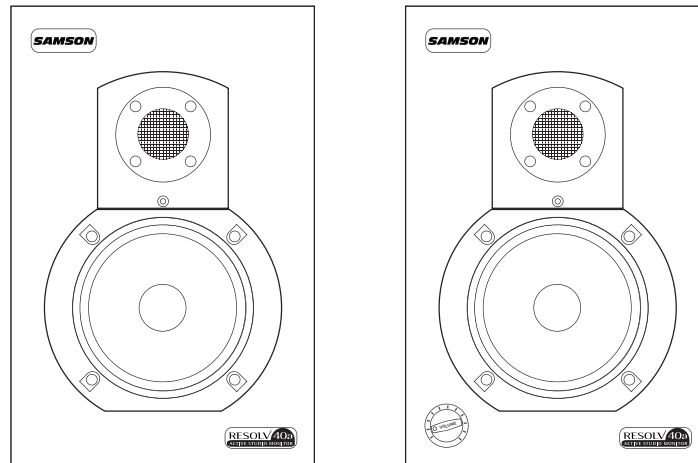
Bei sorgsamer Behandlung und angemessener Belüftung wird Ihr Resolv 40a Studio Reference Monitor System viele Jahre störungsfrei arbeiten. Die Seriennummer Ihres Geräts sollten Sie sicherheitshalber in der Zeile unten eintragen.

Seriennummer:

Kaufdatum:

Sollte Ihr Gerät einmal gewartet werden müssen, besorgen Sie sich vor der Rücksendung an Samson bitte eine Return Authorization Number (RA) (Rückgabeberechtigungsnummer). Ohne diese Nummer wird das Gerät nicht angenommen. Bitte rufen Sie Samson unter der Nummer 1-800-3SAMSON (1-800-372-6766) an, um eine RA-Nummer vor der Rücksendung zu erhalten. Heben Sie bitte das Original-Verpackungsmaterial auf und schicken Sie das Gerät, falls möglich, im Originalkarton und mit dem Originalverpackungsmaterial zurück.

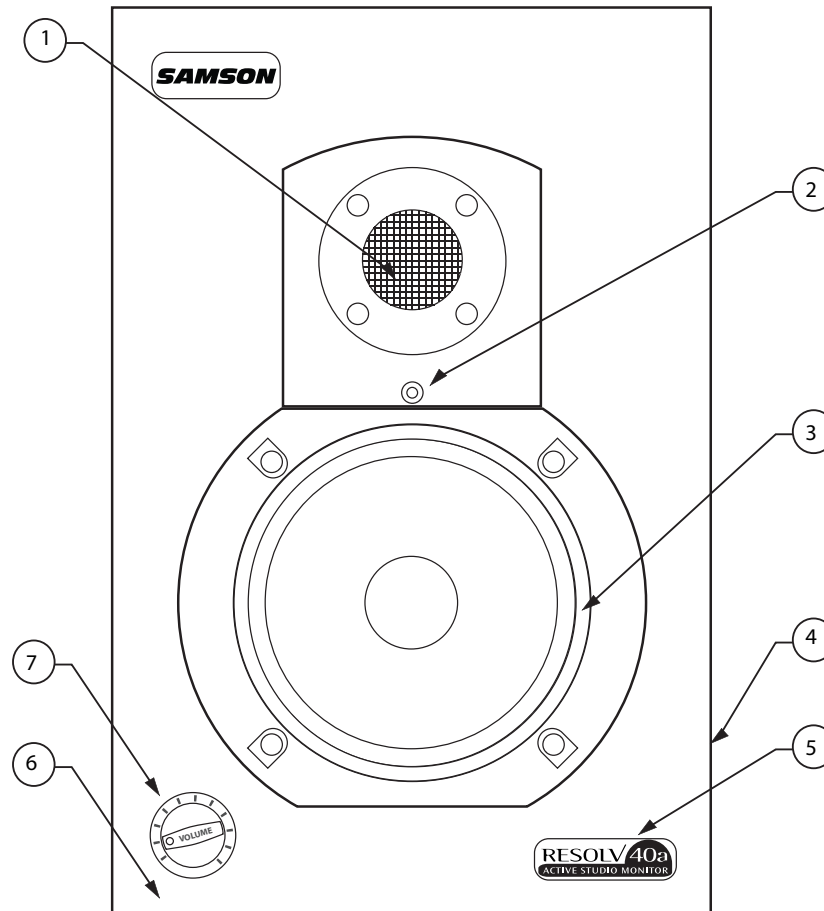
Resolv 40a Features



Die Samson RESOLV 40a Referenzmonitore bieten einen ausgewogenen Frequenzgang, der präzise und wohlklingend ist. Die wichtigsten Features sind:

- Aktiver 2-Weg Studio-Referenzmonitor mit abgestimmtem Port-Gehäuse, der ein extrem präzises Monitoring für Aufnahmestudios, Nachbearbeitungen und Multimedia-Anwendungen bietet.
- 4" Copolymer Woofer mit Butylen-Rahmen für kompakten, kontrollierten Bass-Frequenzgang.
- 1" Dome High Frequency-Treiber aus behandeltem Textil.
- 2 x 25 Watt interne Leistung.
- Passives Crossover mit Multipol-Technik für linearen Frequenzgang über das gesamte Audiospektrum.
- Cinch-Eingänge erlauben das Anschließen fast jeder Signalquelle.
- A/V-Abschirmung für Multimedia-Anwendungen ermöglicht den störungsfreien Betrieb in der Nähe von Computermonitoren.
- Inklusive 2 Meter langes, 1,02 mm (18 Gauge) dickes Boxenkabel für den linken Monitor.
- Massive, extrem stabile MDF (Faserplatten) Konstruktion für maximalen Schalldruckpegel.
- Attraktive und strapazierfähige, schwarze Oberfläche im Satin-Dekor aus hochwertigem Vinyl.
- Erweiterte 3-Jahres-Garantie.

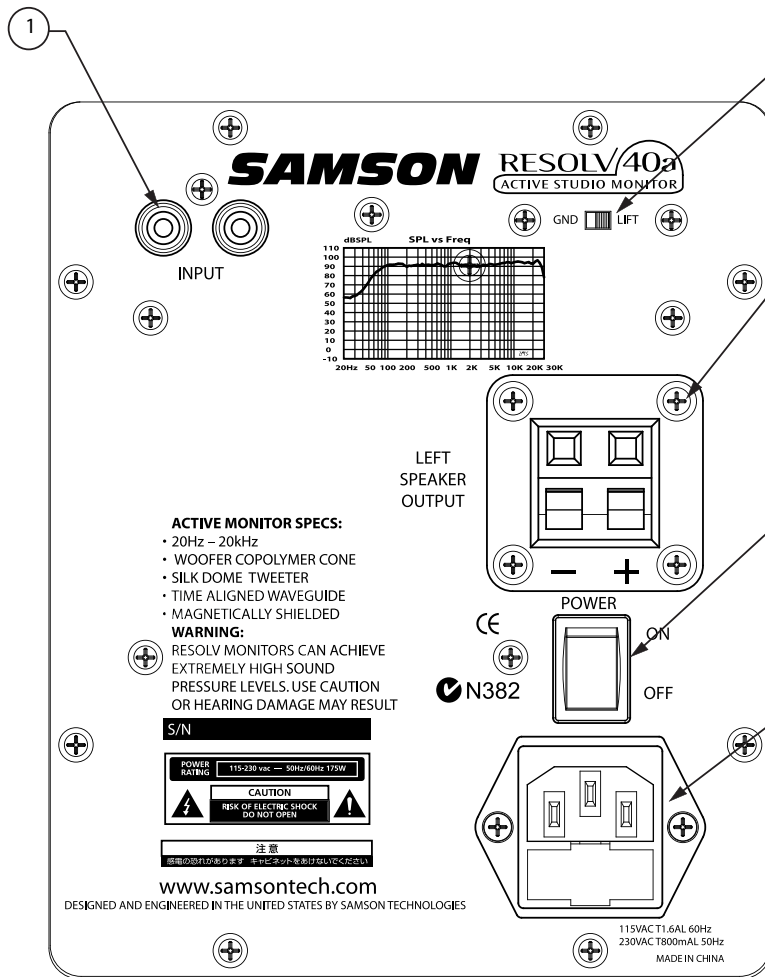
Layout der Vorderseite



- 1 1" DOME TWEETER AUS BEHANDELTEM TEXTIL** - Ausgewogener Höhen-Frequenzgang durch Kuppel aus behandeltem Textil.
- 2 POWER LED (ACTIVE)** - Bei leuchtender blauer LED ist das Gerät eingeschaltet und betriebsbereit.
- 3 4" BASS-TREIBER** - Hochbelastbarer 4" Bass-Wandler mit erweitertem Bereich.
- 4 ABGESTIMMTER PORT (RÜCKSEITE)** - Geräuscharme Port-Konstruktion für erweiterten linearen Bass-Frequenzgang.
- 5 GEHÄUSE** - Massive Faserplatten-Konstruktion.
- 6 FINISH** - Elegante, schwarz texturierte Vinyl-Oberfläche.
- 7 VOLUME (NUR RECHTE SEITE)** - Steuert den Gesamt-Ausgangspegel.

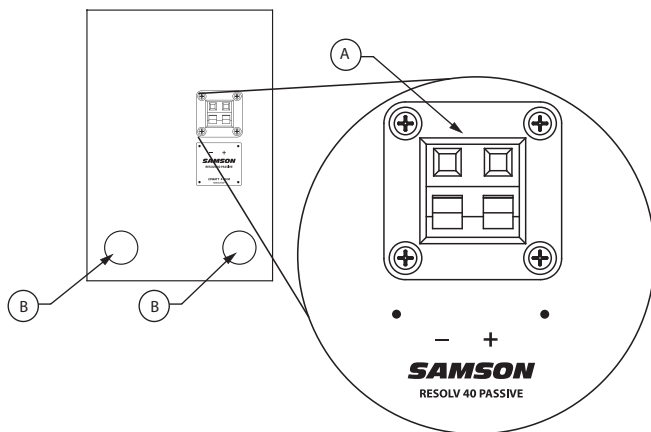
Resolv 40a Layout

R40a Layout der Rückseite



- 1 **CINCH INPUT** – Zum Anschließen von asymmetrischen –10 dBV Geräten. Der rote Eingang ist für den rechten Kanal und der weiße Eingang für den linken Kanal bestimmt.
- 2 **GROUND LIFT** – Schiebeschalter zum Entfernen der Signallerde von den Cinch-Anschlüssen.
- 3 **TERMINAL** – Druckanschlüsse zum Verbinden der linken (Zusatz-) Box.
- 4 **POWER-SCHALTER** – Haupt-Netzschalter. In der ON-Stellung leuchtet die vorderseitige blaue LED. Das Resolv 40a ist jetzt eingeschaltet und betriebsbereit.
- 5 **NETZANSCHLUSS** – Zum Anschließen des mitgelieferten IEC-Netzkabels.

R40P Layout der Rückseite



- A **TERMINAL** – Druckanschlüsse zum Verbinden der linken (Zusatz-) Box.
- B **ABGESTIMMTER PORT (RÜCKSEITE)** – Geräuscharme Port-Konstruktion für erweiterten linearen Bass-Frequenzgang.

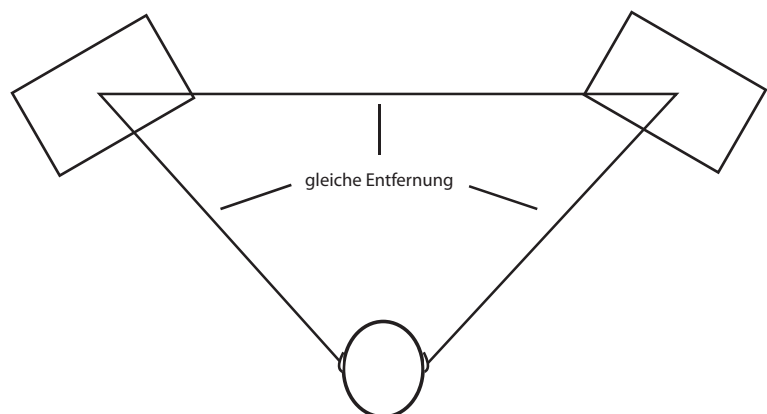
Resolv 40a einrichten

Hintergrundinformationen zum Resolv 40a Studio-Referenzmonitor

Der Nahfeld-Referenzmonitor Resolv 40a verfügt über einen speziell entwickelten 4" Copolymer Bass-Treiber und einen 1" Tweeter aus behandeltem Textil, der eine Schwingspule mit Ferro-Flüssigkeitskühlung und einen Neodym-Magneten verwendet. Das Crossover des Monitors wurde mit hochwertigen Bauteilen sorgfältig konstruiert und garantiert einen linearen Frequenz- und Phasengang. Das Gehäuse des Resolv 40a besteht aus Faserplatten mittlerer Dichte (MDF) und ist mit einer kratzfesten, texturierten Schutzschicht überzogen. Das Monitorgehäuse besitzt auch einen abgestimmten Belüftungspport, der einen erweiterten Tiefbass-Frequenzgang liefert, wobei der Basstreiber – dank Niedrigturbulenz-Technik – sich bei minimaler Wirkung auf die Gesamtimpedanz frei bewegen kann. Auf der Rückseite des rechten Gehäuses befindet sich das Bedienfeld des Resolv 40a, das über einen asymmetrischen Cinch-Eingang verfügt. Dieser Eingang ist mit dem internen Stereo-Leistungsmodul des Resolv 40a verbunden, das 25 Watt Leistung pro Kanal über passive Crossover bereitstellt.

Resolv 40a positionieren

Viele Tontechniker in großen und kleinen Studios bevorzugen Nahfeld-Monitoring, da es den Einfluss der Raumakustik verringert. Dies ist bei den heutigen Projektstudios besonders wichtig, da das Budget für Raumakustik häufig gar nicht existiert. Indem Sie die Referenzmonitore im Nahfeld (dicht am Zuhörer) aufstellen, können Sie den Einfluss der Raumakustik stark verringern. Die wichtigsten Erwägungen beim Abschätzen des Raumakustik-Einflusses betreffen reflektierende Oberflächen in der Umgebung des Abhörbereichs. Dazu zählen flache Tischflächen, Glasspiegel oder gerahmte Bilder, große offene Wände und sogar die Oberfläche des Mischpults. Fast alle reflektierten Klänge treffen früher oder später an der Abhörposition ein, aber da die Reflexionen im Bezug zum Direktschall verzögert ankommen, werden manche Frequenzen wahllos ausgelöscht – der Kammfilter-Effekt. Falls möglich, sollten Sie alle reflektierenden Oberflächen entfernen. Sie können auch Akustikschaum an Wänden im nahen Umfeld der Monitore aufhängen. Beim Positionieren der Monitore sollten Sie ein sogenanntes "Mix-Dreieck" aufbauen. In dieser Idealkonfiguration entspricht der Abstand zwischen linkem und rechtem Monitor der Entfernung vom Zuhörer zu jedem Monitor, woraus sich ein gleichschenkeliges Dreieck ergibt (Abbildung 1).



beste Abhörposition

Abb. 1.

Resolv 40a einrichten

Resolv 40a positionieren - Fortsetzung

Boxen-Ausrichtung

Sie können das Resolv 40a entweder in vertikaler oder horizontaler Stellung einsetzen. In der horizontalen Stellung sollten Sie die links- und rechtsseitigen Tweeter am äußeren Rand positionieren (Abb. 2). Dadurch verbessern Sie die Stereo-Abbildung und Bass-Betonung, da die Tiefbass-Treiber in ihrer Wirkung gekoppelt sind.



Abb. 2.

Ein Wort zu Reflexionen

Wenn Sie Ihr Monitorsystem in der Höhe ausrichten, sollten Sie unbedingt Reflexionen durch die Oberfläche des Mischpults vermeiden (Abb. 3). Diese Reflexionen kommen beim Hörer minimal später als der Originalklang an, was zu seltsamen Auslöschungen und einem insgesamt unvorhersehbaren Frequenzgang führt. Stellen Sie sich die vom Monitor ausgehenden Schallwellen als gerade Linien vor und wählen Sie die Monitorhöhe so, dass möglichst wenig Reflexionen an der Haupt-Abhörposition auftreten (Abb. 4). In den meisten Fällen liegt die ideale Position etwas hinter und über den Pegelanzeigen des Mixers.

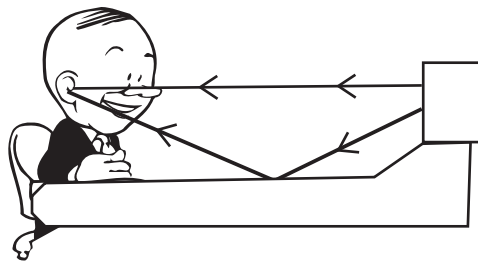


Abb. 3.

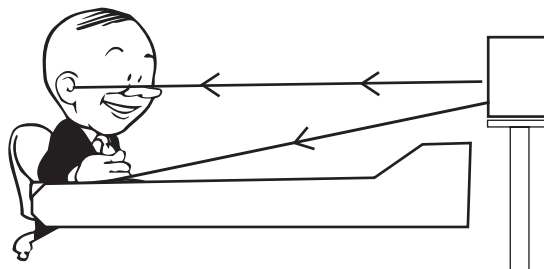


Abb. 4.

Resolv 40a anschließen

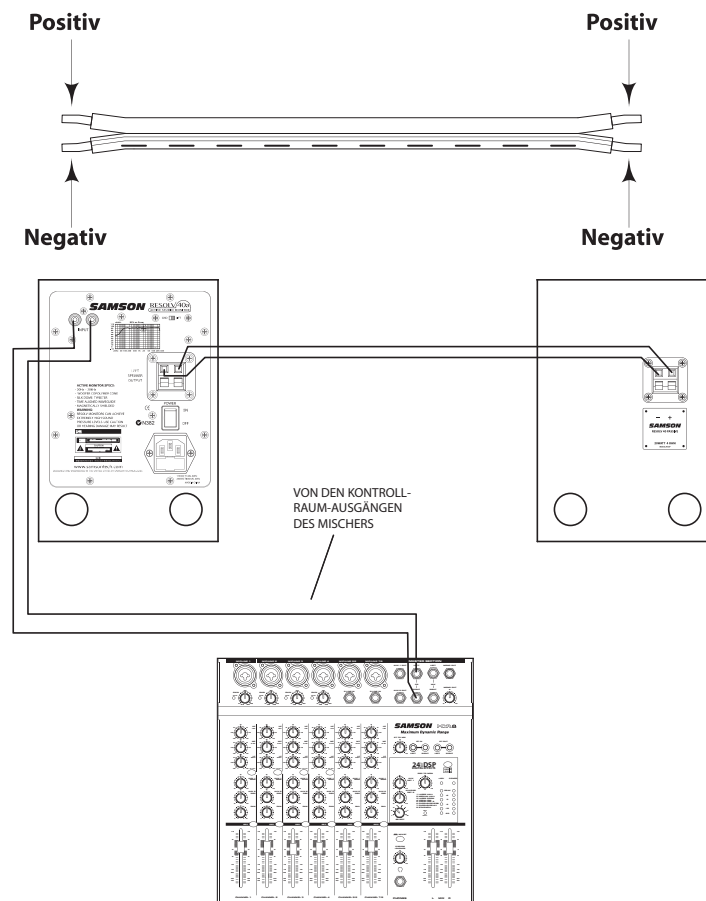
Schnellanschluss Resolv 40a

Hinweis: Beim Anschließen und Einschalten sollten Sie die "Zuletzt Ein/Zuerst Aus" Regel für Endstufen (und Aktivmonitore) beherzigen. Beim Einschalten des Systems stellen Sie zunächst sicher, dass alle Kabel angeschlossen sind, und schalten dann zuerst Ihren Mischer und alle anderen Peripheriegeräte und zuletzt das RESOLV 40a ein. Beim Ausschalten des Systems beginnen Sie mit dem RESOLV 40a und fahren mit dem Mischer und den Peripheriegeräten fort.

Die Verbindungen zum Resolv 40a werden über die rückseitigen Cinch-Eingänge hergestellt. Anhand der folgenden einfachen Schritte und des Diagramms können Sie schnell eine Verbindung zu den Kontrollraum-Ausgängen eines normalen Aufnahme-Mischers herstellen.

- Verbinden Sie die negative Seite des mitgelieferten (Zusatz-) Boxenkabels (1,02 mm/18 Gauge) mit dem schwarzen Terminal und die positive Seite mit dem roten Terminal des rechten Monitors.
- Verbinden Sie dann die negative Seite des Kabels mit dem schwarzen Terminal und die positive Seite mit dem roten Terminal des linken Monitors.

Hinweis: Bei fast allen nicht-abgeschirmten Boxenkabeln ist die negative Seite markiert. Um Probleme mit Phasen-Auslösungen zu vermeiden, sollten Sie die korrekten Verbindungen der positiven und negativen Seiten innerhalb des gesamten Systems beibehalten.



- Setzen Sie die Master-Ausgänge Ihres Mischers ganz zurück.
- Verbinden Sie den linken Control Room-Ausgang des Mischers mit dem Stereo-Eingang des rechten Resolv 40a.
- Stellen Sie den Volume-Regler des Resolv 40a-Eingangs auf 2:00 Uhr ein.
- Schicken Sie ein Audiosignal (z. B. eine Musik-CD) durch Ihren Mischer und stellen Sie den Control Room-Pegel auf eine angenehme Abhörlautstärke ein.

Resolv 40a bedienen

Resolv 40a rückseitiges Bedienfeld

Auf dem rückseitigen Bedienfeld des Resolv 40a nehmen Sie die Strom- und Audiosignal-Anschlüsse vor. Der folgende Abschnitt beschreibt die rückseitigen Regler und Anschlüsse.

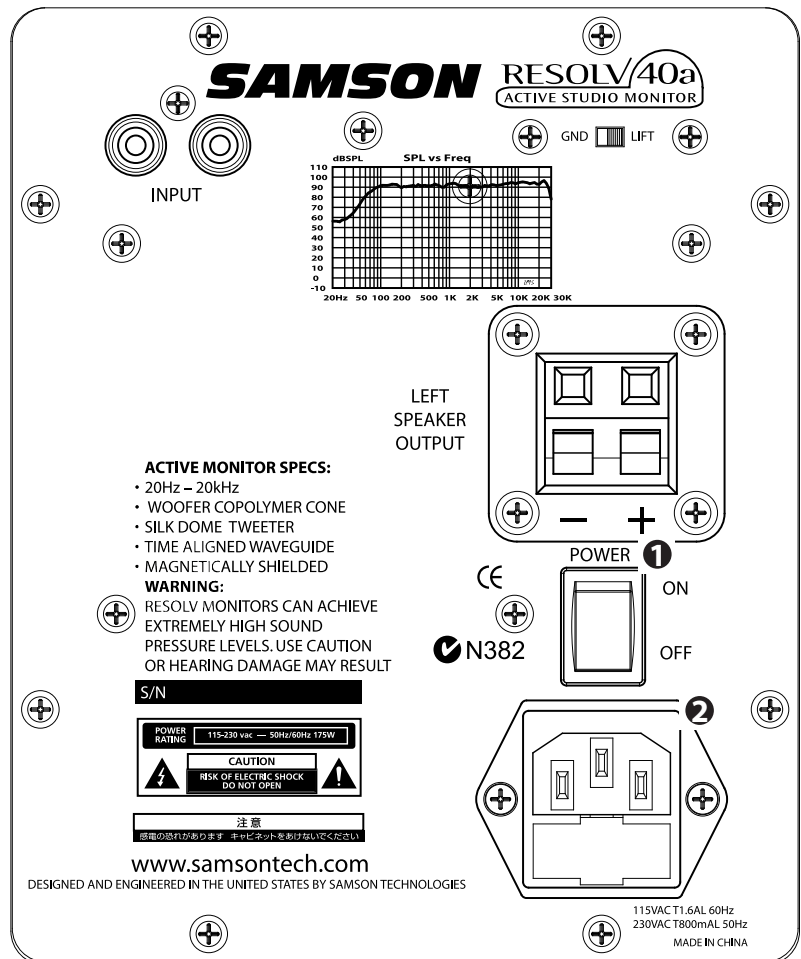
Resolv 40a mit Spannung versorgen

Da das Resolv 40a aus einem aktiven Studiomonitor mit integrierter Endstufe besteht, muss es an eine Stromversorgung angeschlossen werden. Stellen Sie den Haupt-Power-Schalter auf Off/Aus und verbinden Sie das mitgelieferte IEC-Netzkabel mit dem Netzeingang.

Brummgeräusche!

Netzkabel oder Verlängerungskabel sollten nie parallel zu Eingangssignal-Kabeln verlegt werden. Dadurch können Sie Brumm-Einstreuungen durch das Stromnetz verringern. Wenn sich Netzkabel und Audiokabel kreuzen müssen, sollte dies in einem Winkel von 90 Grad geschehen, um das induzierte Brummen so gering wie möglich zu halten.

- 1 POWER-SCHALTER** – Mit dem POWER-Schalter schalten Sie die aktive Elektronik des Resolv 40a ein. In der ON-Position leuchtet die vorderseitige blaue LED – der Resolv 40a ist jetzt eingeschaltet und betriebsbereit.
- 2 NETZEINGANG** - Zum Anschließen des mitgelieferten IEC-Netzkabels.



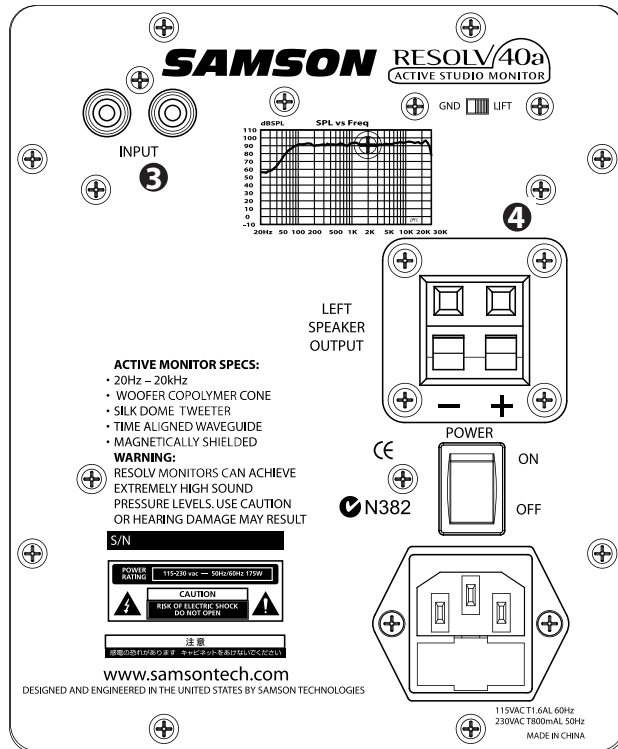
Resolv 40a bedienen

Resolv 40a rückseitiges Bedienfeld - Fortsetzung

Eingänge und Ausgänge

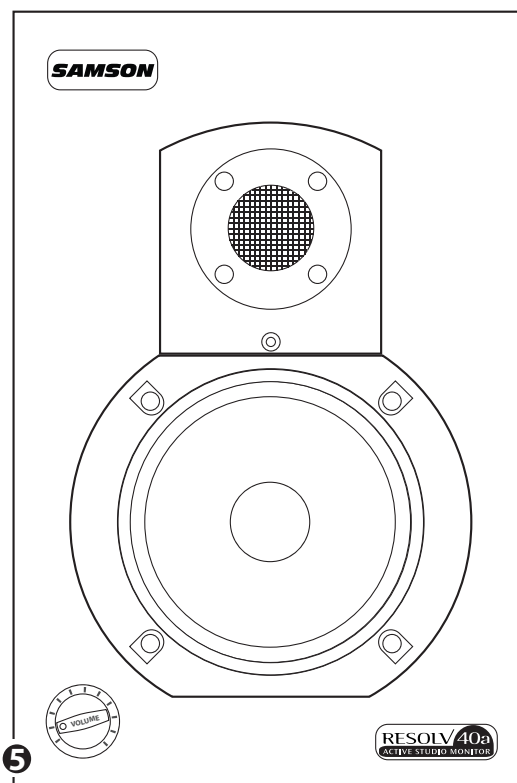
Das Resolv 40a bietet ein Stereo-Eingangspaar, an das sich die verschiedensten Audiogeräte, wie Aufnahme-pulte, Hard Disk-Recorder, CD Player und Soundkarten, anschließen lassen. Die Eingänge des Resolv 40a werden im folgenden Abschnitt ausführlich beschrieben. Auf Seite 12 finden Sie zudem ein detailliertes Verdrahtungsdiagramm.

- ③ **CINCH AUDIO INPUT** – Über den Cinch-Eingang können Sie asymmetrische Signale von asymmetrischen –10 dBV Geräten einspeisen.
- ④ **TERMINAL** – Druck-Terminals zum Anschließen der linken (Zusatz-) Box.



Resolv 40a vorderseitiges Bedienfeld

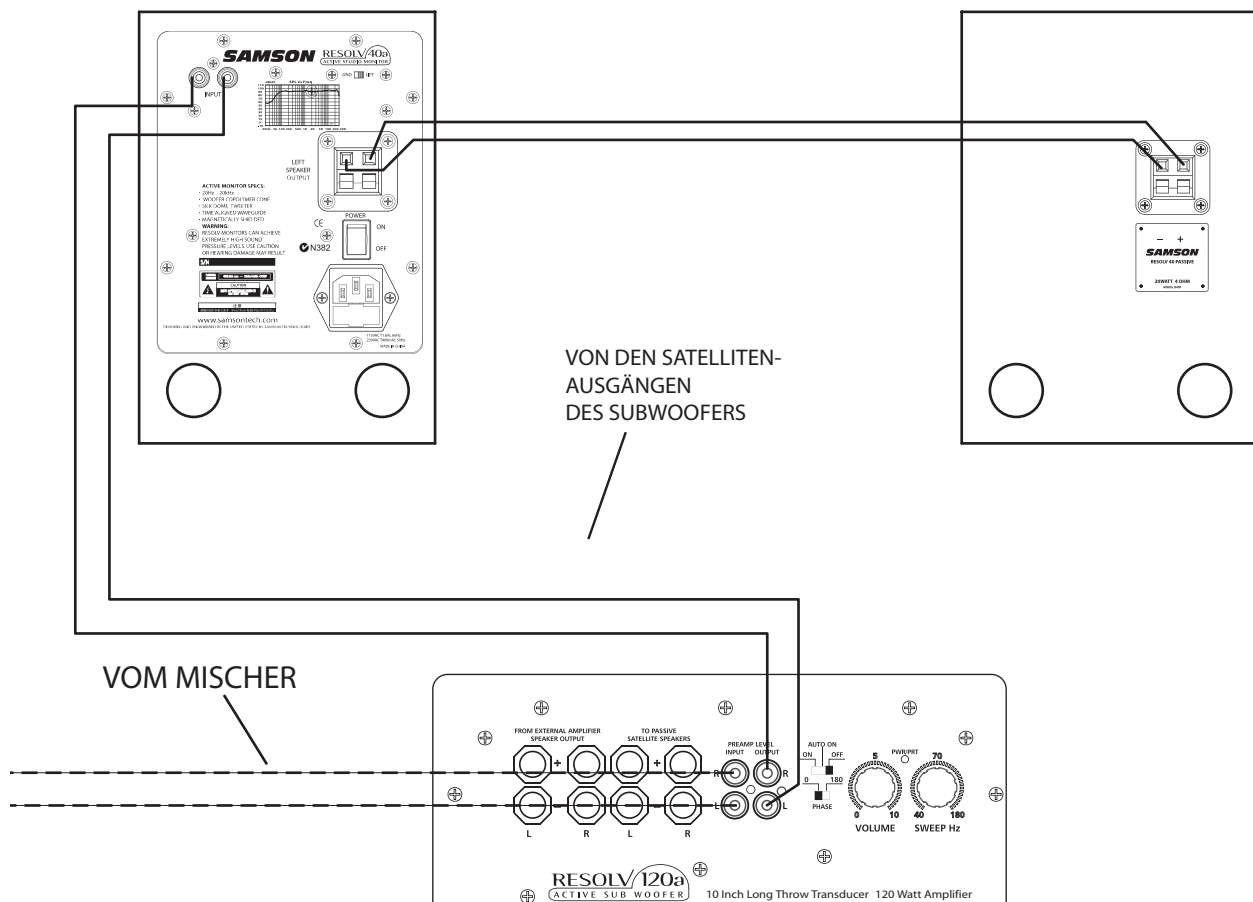
- ⑤ **VOLUME-REGLER - (VORDERSEITE)**
Mit dem Volume-Regler stellen Sie den Gesamt-Ausgangspegel des Resolv 40a ein. Beim ersten Betrieb des Geräts sollten Sie den Volume-Regler anfänglich ganz zurücksetzen. Stellen Sie den Volume-Regler dann langsam auf eine angenehme Abhörlautstärke ein.



Resolv120a Subwoofer anschließen

Resolv 40a mit Mono Sub

Über die LINE LEVEL-Eingänge des Resolv 40a können Sie Ihrem Resolv 40a System einen Subwoofer und erweiterten Tiefbass-Bereich hinzufügen. Es folgt ein typisches System-Setup, bei dem der RESOLV 120a mit einem Mischer und einem Paar Resolv 40a Satelliten-Lautsprechern kombiniert ist. Die Ein- und Ausgänge des Resolv 40a sind mit Cinch-Anschlüssen gemäß Industriestandard bestückt. Ein detailliertes Verdrahtungsdiagramm finden Sie im Abschnitt "Resolv 40a Anschlüsse" auf Seite 12. Gehen Sie zum Einrichten des Systems wie folgt vor.



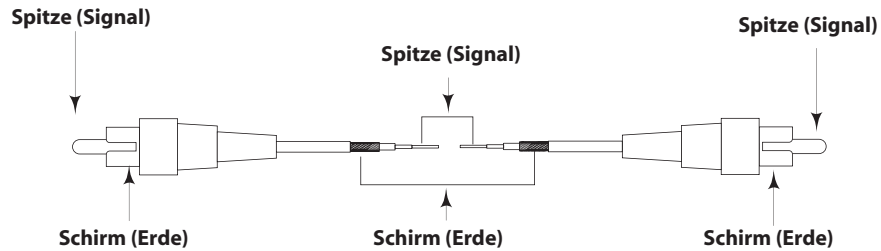
- Drehen Sie die Master-Ausgänge Ihres Mixers ganz zurück.
- Verbinden Sie den linken Mischerausgang mit dem LEFT LINE INPUT des RESOLV 120a und den rechten Mischerausgang mit dem RIGHT LINE INPUT des RESOLV 120a. Verbinden Sie dann den LEFT LINE OUTPUT des RESOLV 120a mit dem Eingang des linken RESOLV 40a und den RIGHT LINE OUTPUT mit dem Eingang des rechten RESOLV 40a.
- Schicken Sie ein Audiosignal (z. B. eine Musik-CD) durch Ihren Mischer und stellen Sie den Pegel auf eine angenehme Abhörlautstärke ein.
- Stellen Sie dann den SWEEP-Regler auf die gewünschte Frequenz ein. Schlagen Sie den empfohlenen Crossover-Punkt im Handbuch Ihrer Studiomonitore nach. Sie können den SWEEP-Regler auch nach Gehör auf die Frequenz einstellen, die am besten klingt. Ein guter Anfangswert ist 70 Hz.

Resolv 40a Anschlüsse

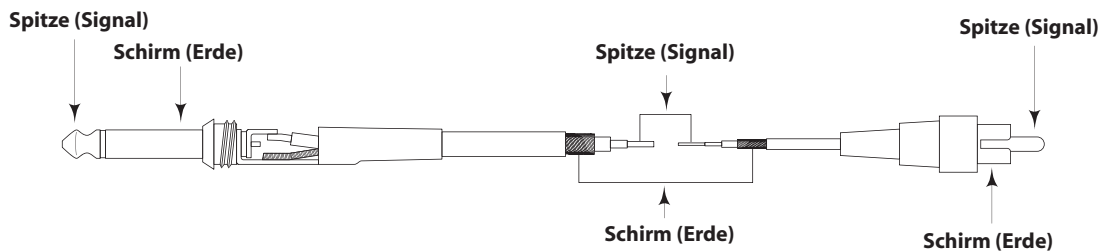
Resolv 40a Verdrahtung

Abhängig von Ihrem exakten Monitoring-Setup können Sie das Resolv 40a auf mehrere Arten ins System integrieren. Gehen Sie nach den folgenden Verkabelungsdiagrammen vor, um Ihr Monitorsystem anzuschließen.

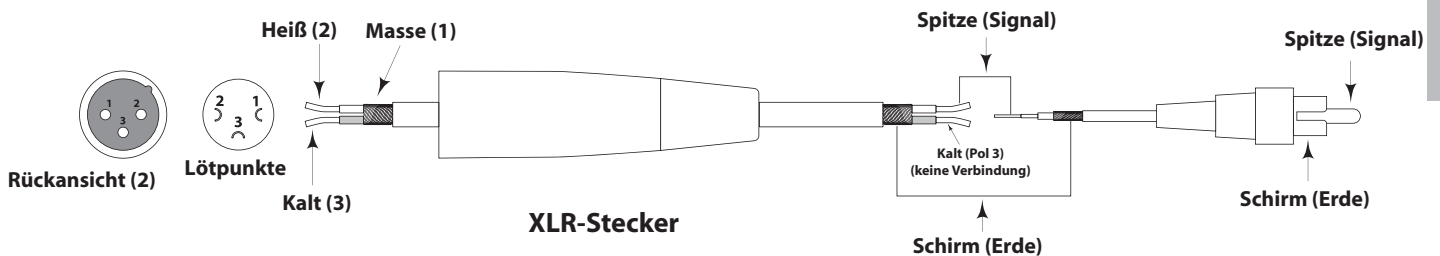
Kabel: Cinch auf Cinch



Kabel: asymmetrisch 1/4" auf Cinch



Kabel: asymmetrisch XLR auf Cinch



Introducción

Felicidades y gracias por su compra del sistema de monitorización de referencia de estudio Samson Resolv 40a. El Samson Resolv 40a es un sistema de monitorización autoamplificado de 40 vatios que dispone de unos woofers de 4" de rango ampliado fabricados en copolímeros y de unos tweeters convexos de 1" fabricados en un tejido especialmente tratado. El sistema Resolv 40a dispone de un monitor pasivo para el lado izquierdo y de uno activo para el derecho. La unidad del lado derecho alberga la etapa de potencia interna stereo de 2 x 20 y dispone de un control de volumen en el panel frontal. En el panel trasero encontrará la entrada de corriente, un interruptor de encendido y la terminal de conexión del monitor pasivo del lado izquierdo. Los recintos acústicos de bello diseño del Resolv 40a incorporan aberturas traseras para una mayor respuesta en graves. El Resolv 40a es un sistema de monitorización de campo cercano ideal para estudios de grabación, salas de post-producción de vídeo, instalaciones fijas o allí donde se requiera un buen sonido.

En estas páginas encontrará una descripción detallada de todas las características de los monitores Resolv 40a, así como un recorrido guiado por su panel de control, instrucciones paso-a-paso para su montaje y uso y una completa tabla con las especificaciones. También encontrará una tarjeta de garantía—no se olvide de rellenarla y enviárnosla por correo para que pueda recibir soporte técnico online y para que podamos enviarle información actualizada sobre este y otros productos Samson en el futuro.

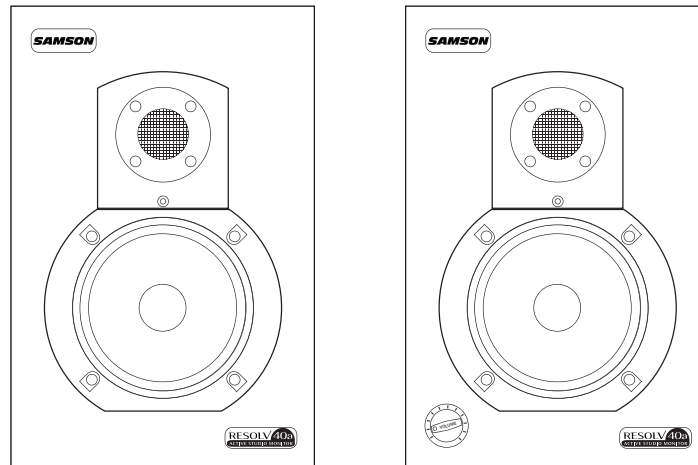
Con unos cuidados mínimos y una correcta circulación de aire, su Resolv 40a funcionará sin problemas durante muchos años. Le recomendamos que apunte aquí abajo el número de serie de este aparato para cualquier consulta en el futuro.

Número de serie:

Fecha de compra:

En el improbable caso de que su unidad tenga que ser reparada en algún momento, necesitará conseguir un número de Autorización de devolución (RA) para poder enviar su unidad a Samson. Sin este número, ninguna unidad es aceptada en fábrica. Póngase en contacto con Samson en el teléfono 1-800-3SAMSON (1-800-372-6766) para que le facilitemos este número de autorización de devolución antes de enviarnos la unidad. Le recomendamos que guarde el embalaje original de este aparato y, si es posible, utilice este embalaje para devolvernos la unidad en caso de reparación.

Características de los Resolv 40a

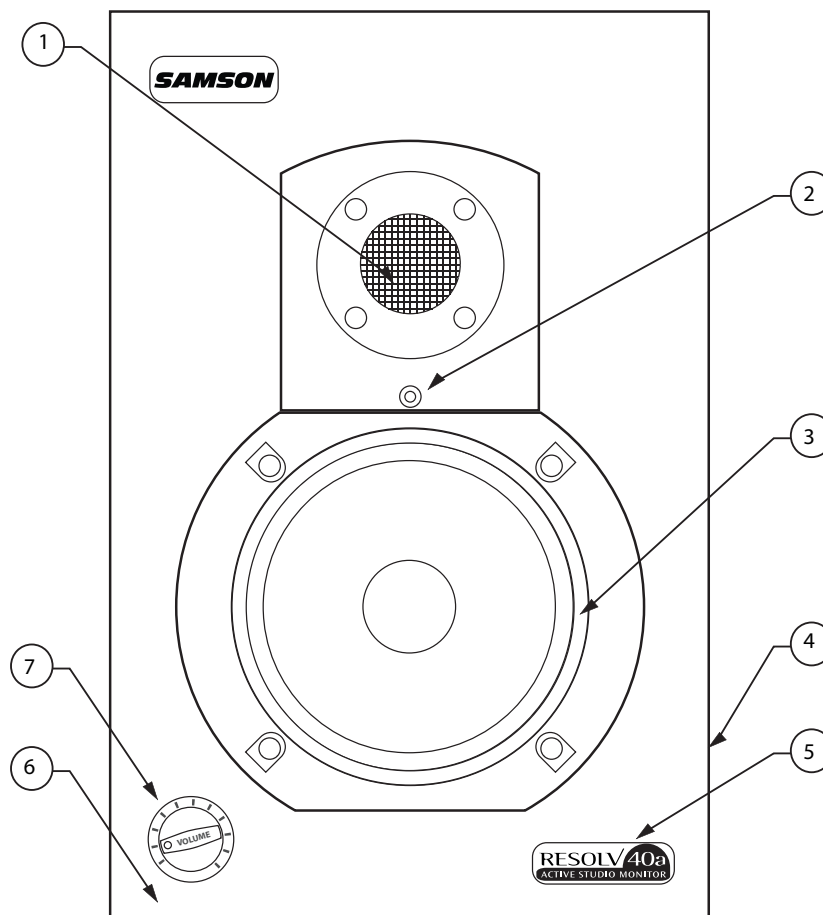


Los monitores de referencia Samson RESOLV 40a le ofrecen una respuesta suave, precisa y a la vez agradable al oído. Aquí puede ver algunas de sus características principales:

- Monitor activo de dos vías de referencia de estudio con un recinto acústico con tobera afinada que ofrece una monitorización extremadamente precisa para estudios de grabación, post-producción y aplicaciones multimedia.
- Woofer de 4" fabricado en copolímeros con recubrimiento butílico que ofrece una respuesta de bajas frecuencias compacta y controlada.
- Transductor de agudos convexo de 1" fabricado en un tejido especialmente tratado.
- Potencia interna de 2 x 25 watos.
- Crossovers pasivos que usan un diseño multipolar para una respuesta lineal en el rango completo.
- Entradas RCA que permiten la conexión a prácticamente cualquier fuente de señal.
- Blindaje A/V para aplicaciones multimedia, que le permite un funcionamiento sin problemas cerca de monitores de ordenador.
- Incluye 2 metros de cable de altavoz de calibre 18 para la conexión del monitor pasivo.
- Sólida construcción en MDF (fibra de densidad media) para un máximo SPL.
- Acabado en negro satinado, atractivo y resistente gracias a una gruesa capa de vinilo.
- Tres años de garantía ampliada.

Distribución del Resolv 40a

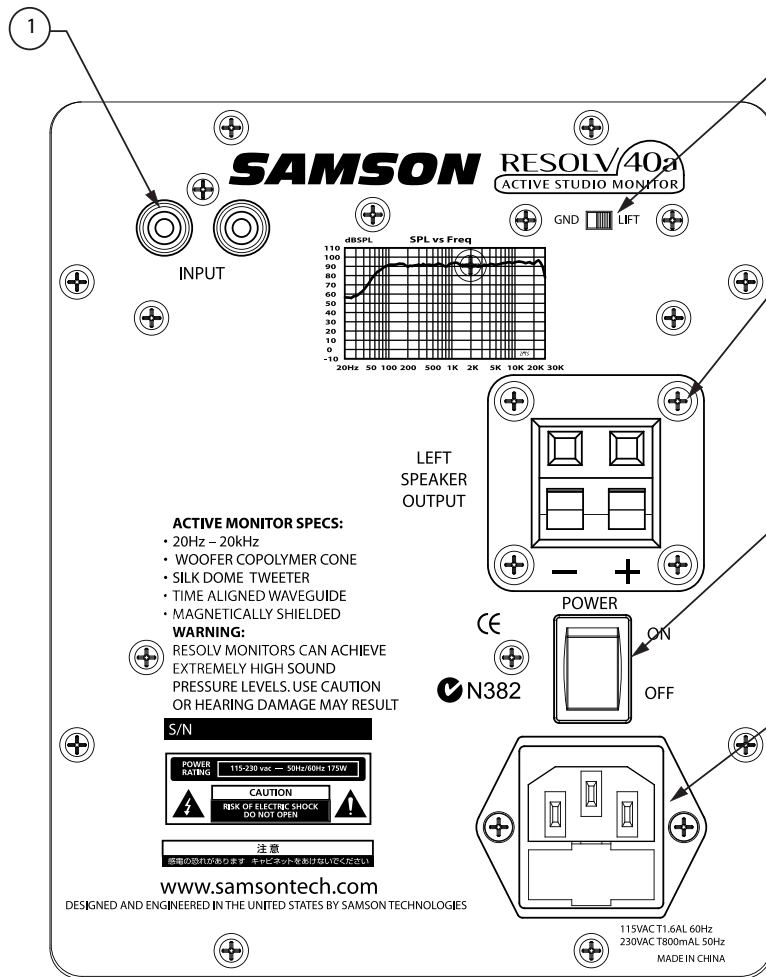
Vista del panel frontal



- 1 TWEETER DE 1" FABRICADO EN TEJIDO TRATADO** - Este tweeter convexo fabricado en tela especialmente tratada le ofrece una suave respuesta a altas frecuencias.
- 2 PILOTO POWER (ACTIVO)** - Piloto que se ilumina en azul para indicar que la unidad está encendida y lista para funcionar.
- 3 CABEZAL DE GRAVES DE 4"** - Robusto transductor de frecuencias graves de 4", con rango ampliado.
- 4 TOBERA AFINADA (TRASERA)** - Silencioso diseño de tobera que le ofrece una respuesta en graves ampliada y lineal.
- 5 RECINTO ACUSTICO** - Construcción robusta en MDF.
- 6 ACABADO** - Negro satinado con una capa final de vinilo.
- 7 VOLUMEN (SOLO LADO DERECHO)** - Controla la cantidad global de nivel de salida.

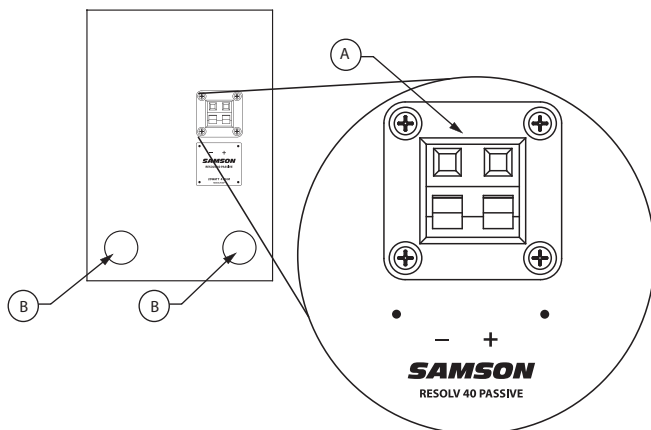
Distribución del Resolv 40a

Vista del panel trasero del R40a



- 1 **ENTRADA RCA** – Usada para conectar señales de dispositivos no balanceados a -10 dBV. El conector rojo es para la entrada derecha y el blanco para la izquierda.
- 2 **ANULACION DE TIERRA** – Interruptor que se usa para anular la señal de tierra de los conectores RCA.
- 3 **TERMINAL** – Terminales de pulsación para la conexión del altavoz del lado izquierdo.
- 4 **INTERRUPTOR** – Interruptor general. Cuando lo coloque en la posición on, el piloto azul del panel frontal se iluminará para indicarle que el Resolv 40a está encendido y listo para funcionar.
- 5 **ENTRADA AC** - Conecte aquí el cable de corriente IEC incluido.

Vista del panel trasero del R40P



- A **TERMINAL** – Terminales de pulsación para la conexión del altavoz del lado izquierdo.
- B **TOBERA AFINADA (TRASERA)** - Un diseño de tobera muy silencioso le ofrece una respuesta de graves ampliada y lineal.

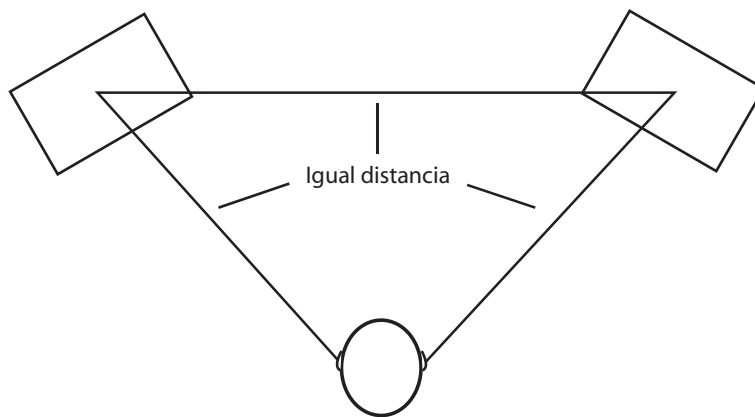
Configuración del Resolv 40a

Resumen del monitor de referencia de estudio Resolv 40a

Los Resolv 40a son unos monitores de referencia de campo cercano que dispone de un transductor de bajas frecuencias de 4" fabricado en copolímeros de diseño exclusivo y un tweeter de 1" fabricado en un tejido con un tratamiento especial, y en el que se emplea una bobina de voz de ferrita refrigerada por fluido y un imán de neodimio. El crossover de este monitor ha sido cuidadosamente diseñado con componentes de alta calidad para asegurar una respuesta de frecuencia y de fase lineales. El recinto acústico del Resolv 40a está fabricado con MDF (fibra de densidad media) y está acabado con una gruesa y resistente capa de pintura de vinilo. El recinto de este monitor incluye también una tobera afinada que ofrece una respuesta de graves ampliada y gracias a su diseño de bajo nivel de turbulencias, el cabezal de graves puede moverse libremente con un efecto mínimo sobre la impedancia global. En la parte trasera de uno de los recintos encontrará el panel de control del Resolv 40a, con una entrada RCA no balanceada. Esta entrada está conectada al módulo de amplificación interna stereo del Resolv 40a que ofrece 25 vatios por canal a través de crossovers pasivos.

Colocación del Resolv 40a

La monitorización de campo cercano se ha convertido en la elección de muchos técnicos en estudios de grabación tanto pequeños como grandes dado que reduce al mínimo el efecto de la acústica de la sala. Esto es especialmente importante en los pequeños estudios de hoy en día dado que el presupuesto que suelen disponer para acondicionar la acústica de la sala suele ser cero. Colocando los monitores de referencia en el campo cercano (cerca del oyente), puede reducir en gran medida los efectos de la acústica de la sala. La consideración más importante al evaluar la acústica de la sala son las superficies reflexivas que rodean la zona de monitorización. Pueden incluir espejos, cuadros, superficies planas, grandes paredes e incluso la propia superficie de la mesa de mezclas. La mayor parte del sonido reflejado llegará a la posición de escucha, pero dado que tendrá un ligero retardo con respecto a la fuente directa, el resultado de ello será una cancelación aleatoria de algunas frecuencias, o filtrado de tipo peine. Si puede, elimine al máximo las superficies reflexivas. También puede colocar algo de aislante acústico en las paredes cercanas a los monitores. Cuando coloque los monitores le interesará configurarlos en lo que se conoce habitualmente como el "triángulo de mezcla". En esta configuración ideal, el espacio entre los monitores izquierdo y derecho es igual a la distancia desde el oyente a cualquiera de los monitores, formando un triángulo equilátero (Figura 1).



Punto de escucha principal

Figura 1.

Configuración del Resolv 40a

Colocación del Resolv 40a - continuación

Orientación de los altavoces

Puede usar los Resolv 40a tanto en posición horizontal como vertical. Cuando use estos monitores en posición horizontal, asegúrese de colocar los tweeters de los lados izquierdo y derecho en los extremos exteriores. (Figura 2) Esto mejorará la imagen stereo y la respuesta en graves al aumentar el acoplamiento de los cabezales de bajas frecuencias.

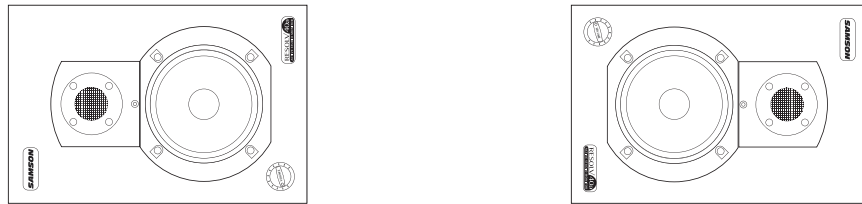


Figura 2.

Un momento para la reflexión

A la hora de escoger la altura para su sistema de monitorización, tenga cuidado de cara a evitar las reflexiones sobre la superficie de la mesa de mezclas. (Figura 3) Estas reflexiones llegan a la posición de escucha con un ligero retardo con respecto al sonido original, produciendo extrañas cancelaciones y una respuesta global impredecible. Imagine líneas rectas que representen los rayos de la radiación del sonido procedente de los monitores y elija una altura que reduzca la producción de reflexiones que terminen en el punto de escucha principal. (Figura 4) En la mayoría de los casos, la posición ideal es ligeramente por detrás y por encima del panel de medidores de la mesa.

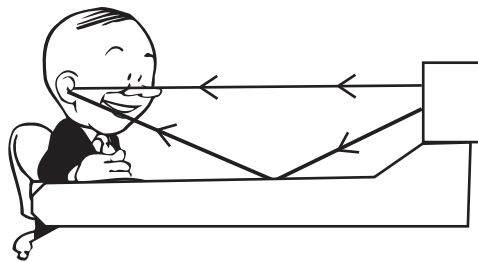


Figura 3.

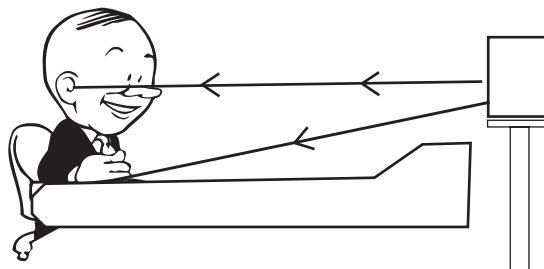


Figura 4.

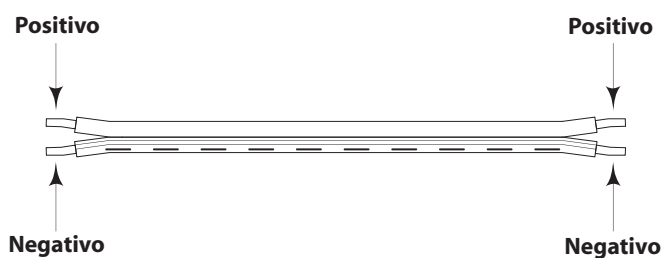
Conexión del Resolv 40a

Conexiones rápidas del Resolv 40a

Nota: Antes de conectar y encender ningún aparato, recuerde la regla de oro de las etapas de potencia (y monitores autoamplificados) "el último en encender, el primero en apagar". Cuando encienda su sistema, asegúrese de que todos los cables estén conectados, encienda después la mesa y el resto de dispositivos exteriores y finalmente los Resolv 40a. A la hora de apagar el sistema, apague primero los Resolv 40a y después los otros dispositivos.

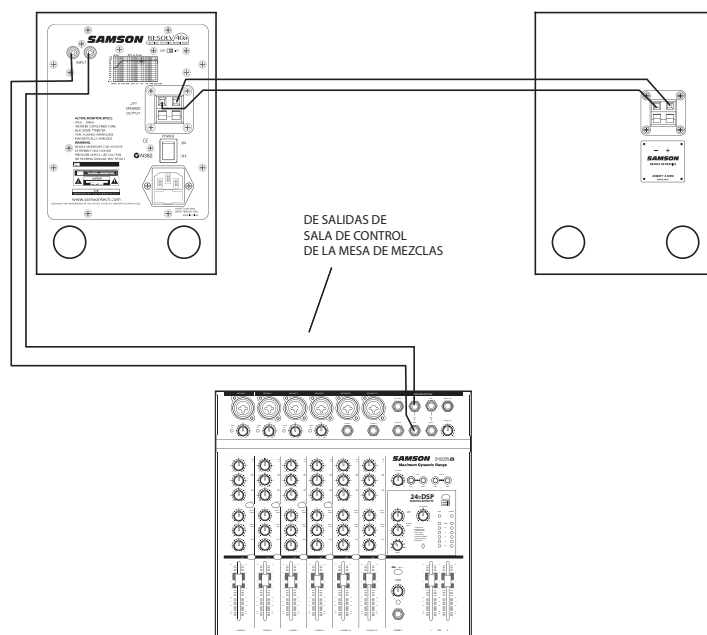
Puede realizar las conexiones al Resolv 40a a través de las entradas RCA del panel trasero. Siga estos simples pasos y el diagrama siguiente para una rápida conexión usando las salidas de sala de control de una mesa de grabación standard.

- Usando el cable de altavoz de calibre 18 incluido, conecte el lado negativo del cable al terminal de color negro y el lado positivo al terminal de color rojo del monitor del lado derecho.
- Después, conecte el lado negativo del cable al terminal de color negro y el positivo al terminal rojo del monitor izquierdo.



Nota: Casi todos los cables de altavoz sin blindaje tendrán una marca para indicar su lado negativo. Para evitar problemas de cancelación de fase, asegúrese de mantener la conexión correcta de los lados negativo y positivo a lo largo de todo el sistema.

- Reduzca el mínimo las salidas master de la mesa de mezclas.
- Conecte la salida de sala de control de la mesa de mezclas a la entrada stereo del Resolv 40a del lado derecho.
- Coloque el control de volumen de entrada del Resolv 40a en la posición de "las dos en punto".
- Haga pasar una señal audio (una canción de un CD por ejemplo) a través de su mesa de mezclas y aumente el nivel de la sala de control hasta un nivel de escucha razonable.



Manejo del Resolv 40a

Panel de control trasero del Resolv 40a

El panel de control trasero del Resolv 40a es el lugar en el que hará sus conexiones tanto de corriente como de señales audio. La sección siguiente detalla los controles y conexiones de este panel trasero.

Encendido del Resolv 40a

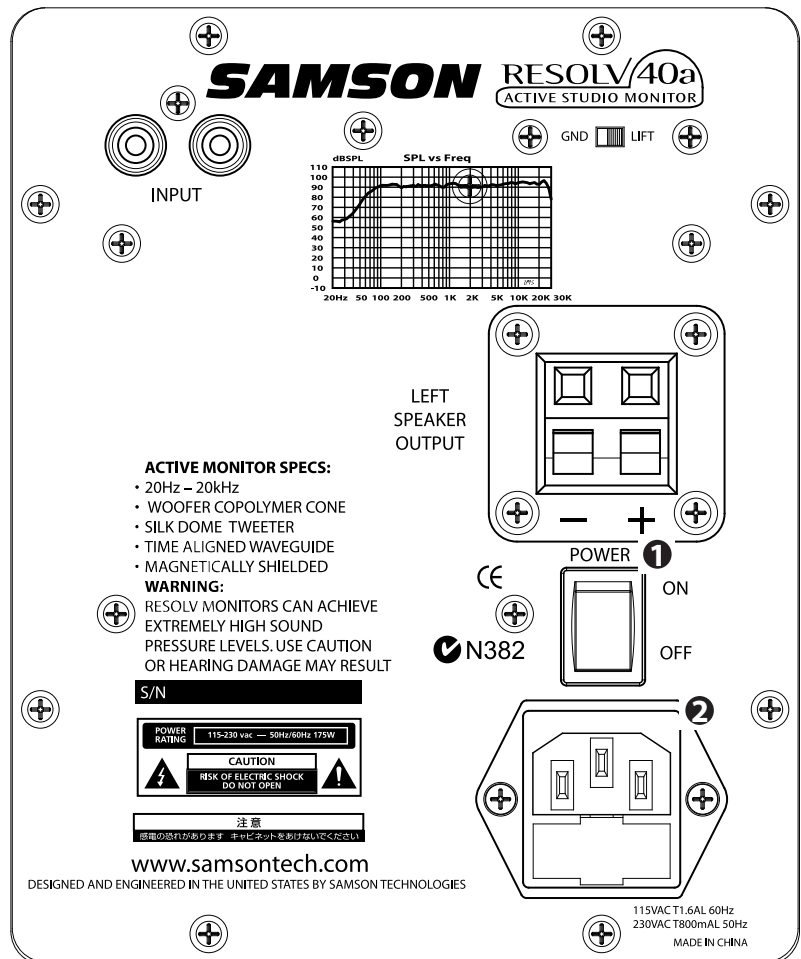
Dado que el Resolv 40a es un monitor de estudio activo con una etapa de potencia interna, debe conectar la unidad a una fuente de alimentación. Asegúrese de que el interruptor de encendido esté en la posición off antes de conectar el cable de alimentación IEC incluido a una salida de corriente alterna.

¡ Evite que se produzcan zumbidos !

Al colocar los cables de corriente, tenga cuidado de no hacer que queden en paralelo con los cables de señal. Esto evitará que puedan ser captados zumbidos de corriente. Si tiene que cruzar un cable de corriente con uno de señal, haga que formen ángulos rectos para reducir los zumbidos al mínimo.

1 INTERRUPTOR DE ENCENDIDO – El interruptor POWER se usa para activar los circuitos electrónicos del Resolv 40a. Cuando lo coloque en la posición on, el piloto azul del panel frontal se iluminará para indicarle que el Resolv 40a está encendido y listo para funcionar.

2 ENTRADA DE CORRIENTE - Conecte aquí el cable de alimentación IEC incluido.



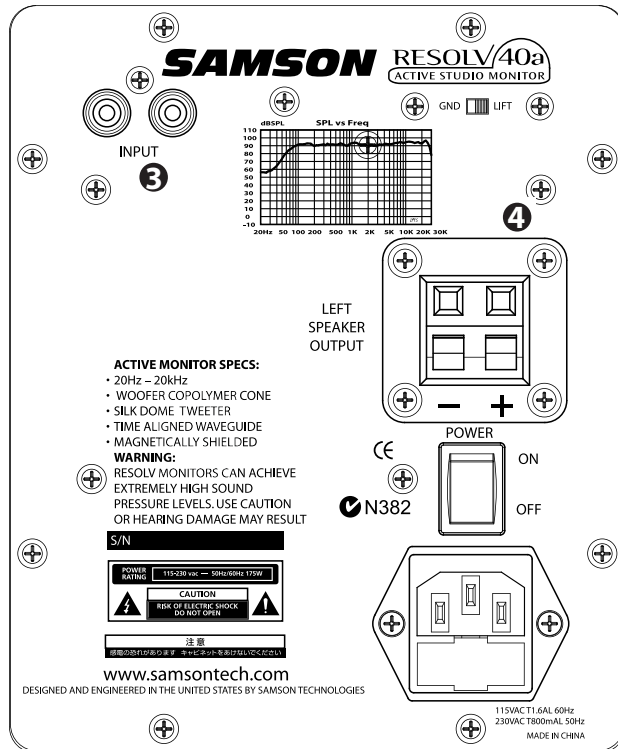
Manejo del Resolv 40a

Panel de control trasero del Resolv 40a - continuación

Entradas y salidas

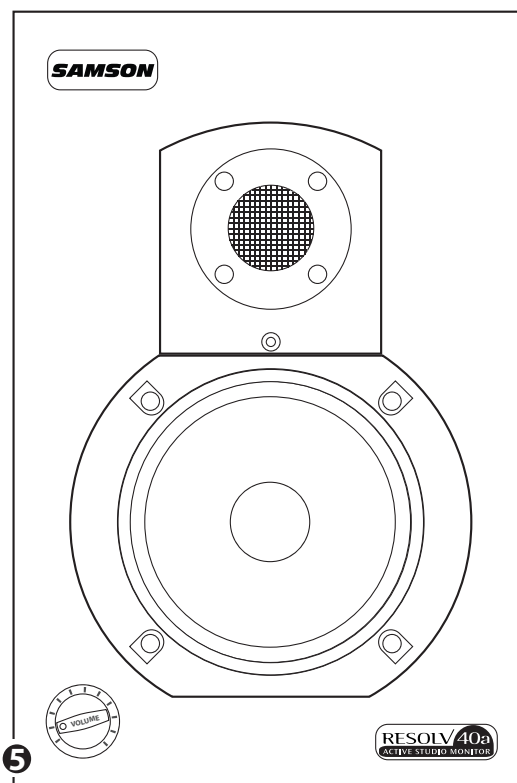
El Resolv 40a dispone de un par de conectores de entrada stereo que le permiten una instalación fácil con una amplia gama de dispositivos audio como mesas de mezclas de grabación, grabadoras de disco duro, reproductores de CD y tarjetas de sonido, entre otras. La sección siguiente le describe los conectores de entradas del Resolv 40a. Además, en la página 12 encontrará un completo diagrama de cableado.

- 3 ENTRADA AUDIO RCA AUDIO**
– La entrada RCA acepta señales no balanceadas y se usan para conectar señales desde dispositivos no balanceados a -10dBV .
- 4 TERMINAL** – Terminales de pulsación para la conexión del altavoz izquierdo.



Panel de control frontal del Resolv 40a

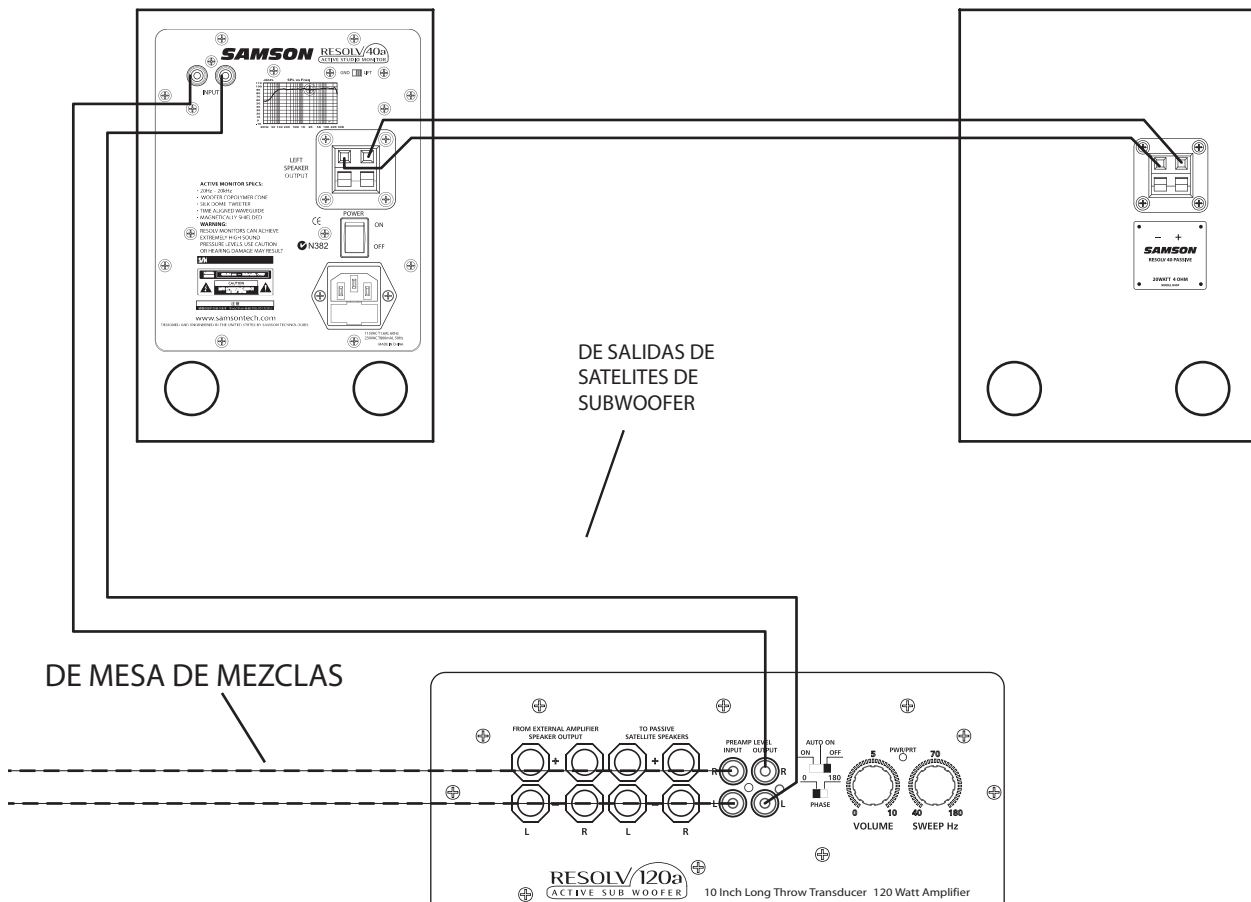
- 5 CONTROL DE VOLUMEN - (PANEL FRONTAL)**
Este control de volumen se usa para ajustar el nivel de salida global del Resolv 40a. La primera vez que use esta unidad, comience ajustando este control de volumen al mínimo y después vaya aumentando poco a poco la posición hasta llegar a un nivel de escucha adecuado.



Conexión al subwoofer Resolv120a

Resolv 40a son subwoofer mono

La adición de un subwoofer para ampliar la respuesta en graves de su Resolv 40a es muy sencillo usando las entradas LINE LEVEL del Resolv 40a. Aquí abajo puede ver una configuración típica de un sistema usando el Samson RESOLV 120a con una mesa de mezclas y un par de altavoces satélites Resolv 40a. Las entradas del Resolv 40a usan conectores RCA standard. Si quiere ver un diagrama de cableado más detallado, vea la sección "Conexiones del Resolv 40a" en la página 12. Para configurar su sistema, siga los pasos del diagrama siguiente.



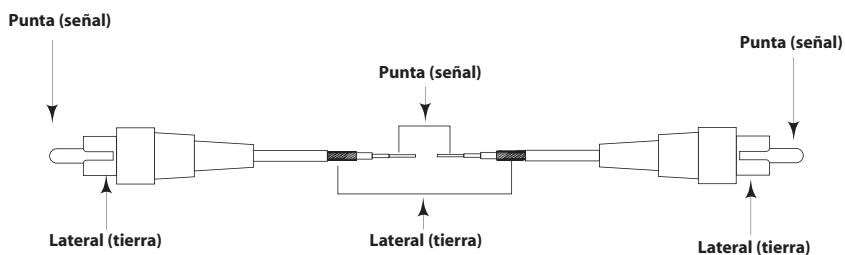
- Reduzca el mínimo las salidas master de la mesa de mezclas.
- Conecte la salida izquierda de la mesa de mezclas a la ENTRADA DE LINEA IZQUIERDA del RESOLV 120 y la salida derecha de la mesa a la ENTRADA DE LINEA DERECHA del RESOLV 120. Conecte después la SALIDA DE LINEA IZQUIERDA del RESOLV 120 a la entrada izquierda del Resolv 40a y la SALIDA DE LINEA DERECHA del RESOLV 120 a la entrada derecha del Resolv 40a.
- Haga pasar una señal audio (una canción de un CD por ejemplo) a través de su mesa de mezclas y aumente el nivel de la sala de control hasta un nivel de escucha razonable.
- Ajuste después el control SWEEP a la frecuencia que quiera. Consulte el manual de instrucciones de su monitor de estudio para saber cual es el punto de crossover recomendado. También puede usar sus oídos para ajustar este control SWEEP a la frecuencia que suene bien para usted. Una buen punto suele estar sobre los 70 Hz.

Conexiones del Resolv 40a

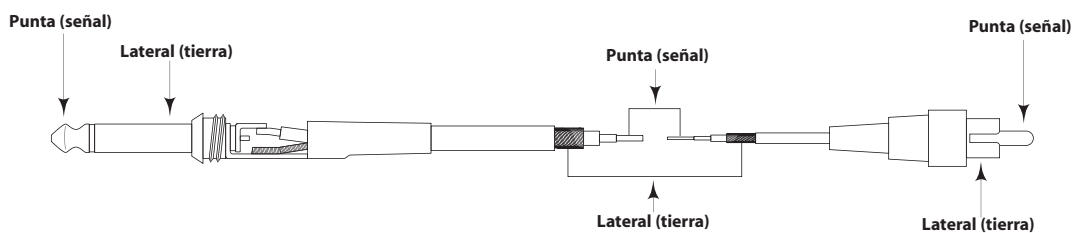
Guía de cableado del Resolv 40a

Existen varias formas de interconectar el Resolv 40a a otros dispositivos, dependiendo de su configuración concreta de monitorización. Siga los diagramas de cableado de abajo para saber cómo conectar su sistema de monitorización concreto.

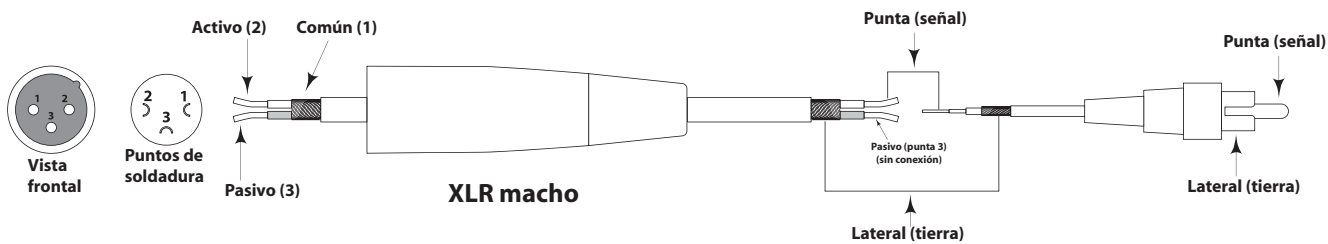
Cable RCA a RCA



Cable de 6,3 mm no balanceado a RCA



Cable de XLR no balanceado a RCA



Introduzione

Vi ringraziamo di aver acquistato il Sistema di Monitor di Riferimento da Studio Resolv 40a Samson. I Resolv 40a Samson sono un sistema di monitor autoamplificati da 40 watt che dispone di woofer da 4" in copolimero a intervallo esteso e di tweeter da 1" a cupola in tessuto trattato. Il sistema 40a dispone di un monitor attivo per il lato Destro e di un monitor passivo per il lato Sinistro. L'unità del lato Destro alloggia all'interno un finale di potenza stereo da 20 watt per canale e dispone di controllo di volume sul pannello frontale. Nel suo pannello posteriore è presente la presa in CA, l'interruttore di Accensione ed i Terminali di collegamento per il monitor passivo di Sinistra. Le eleganti casse acustiche dei Resolv 40a incorporano le aperture posteriori accordate per una risposta estesa in bassa frequenza. I Resolv 40a sono un sistema di monitor a campo ravvicinato ideale per studio, suite di post-produzione, installazioni fisse e ovunque sia desiderabile un suono alla grande.

In queste pagine troverete una descrizione dettagliata delle caratteristiche dei Resolv 40a, la descrizione dei loro pannelli frontali e posteriori, istruzioni passo a passo per le loro configurazioni di collegamento e d'uso e le specifiche complete. Troverete anche inclusa la garanzia che vi preghiamo di compilare e inviare per posta, per permettervi di ricevere supporto tecnico in linea e informazioni aggiornate su questo e su altri futuri prodotti Samson.

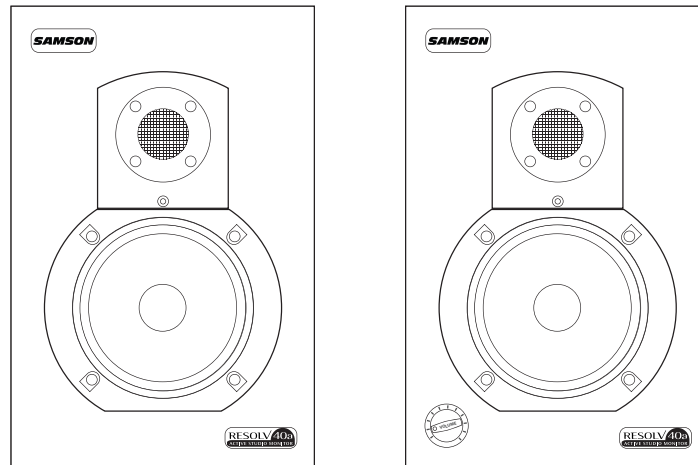
Se li trattate con cura permettendo una corretta circolazione dell'aria, i vostri Resolv 40a saranno in grado di funzionare senza problemi per molti anni. Vi raccomandiamo di registrarne il numero di serie nell'apposito spazio che segue, a memoria futura.

Numero di serie: _____

Data d'acquisto: _____

Dovesse mai accadere che il vostro apparecchio necessiti di un intervento in assistenza, contattate il distributore Samson Italiano **m. casale bauer** via mail all'indirizzo info@casalebauer.com oppure telefonicamente allo 051 - 766.648. Vi preghiamo di conservare i materiali di imballo originali e di usarli in caso di spedizione.

Le Caratteristiche dei Resolv 40a

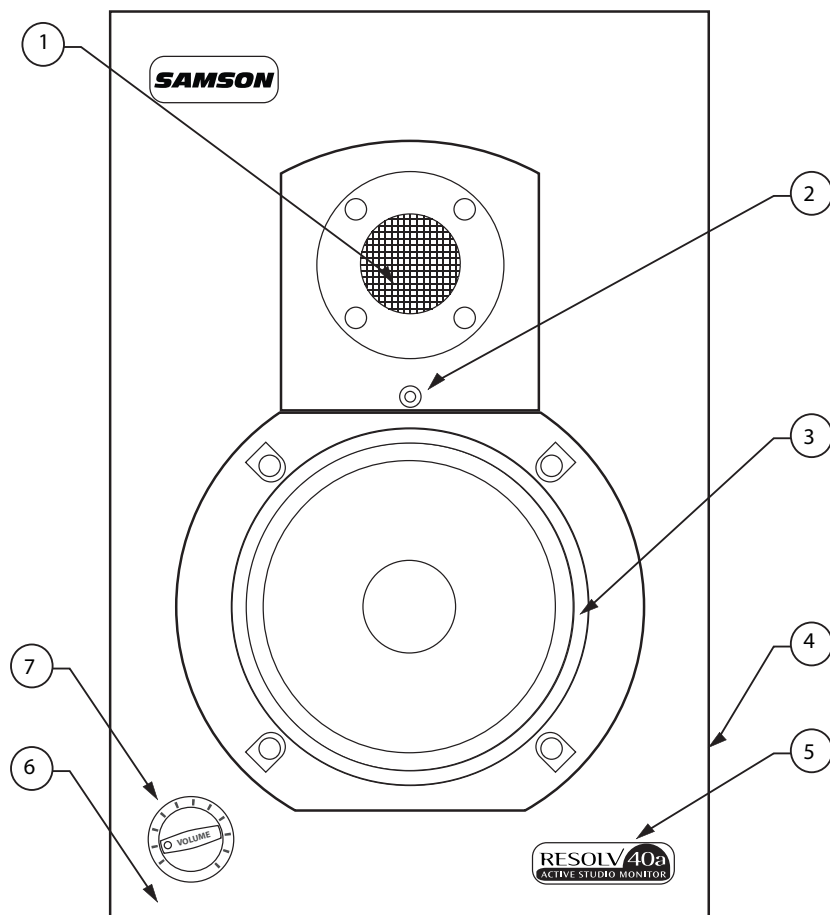


I monitor di riferimento da studio RESOLV 40a Samson forniscono una risposta in frequenza morbida e lineare che è allo stesso tempo accurata e piacevole da ascoltare. Ecco alcune delle loro caratteristiche principali.

- Monitor di riferimento da studio amplificati a due vie con casse acustiche ad apertura accordata, in grado di fornire una monitorizzazione accurata per studi di registrazione e di post-produzione e per applicazioni multimediali.
- Woofer da 4" in Copolimero con Contorno in Butile che fornisce una risposta in bassa frequenza dettagliata e controllata.
- Altoparlante per le Frequenze Acute da 1" a Cupola in Tessuto Trattato.
- Doppio canale di amplificazione interna da 25 watt.
- Crossover passivi che sfruttano un design multipolare per una risposta lineare sull'intero spettro.
- Gli ingressi RCA permettono il collegamento immediato alla maggior parte delle sorgenti di segnale.
- Schermatura A/V per le applicazioni multimediali che ne permette l'uso vicino a monitor da computer.
- In dotazione un cavo per cassa acustica da 2 metri, di 18 "gauge" di spessore, per il monitor di Estensione per il lato Sinistro.
- Realizzati in solida MDF (Medium Density Fiberboard - Tavola di Fibra di Media Densità) per ottenere il massimo SPL.
- Finitura in nero satinato attraente e duratura, grazie alla robusta copertura in vinile.
- Garanzia estesa a tre anni (valida per il mercato Statunitense).

Resolv 40a - I Componenti

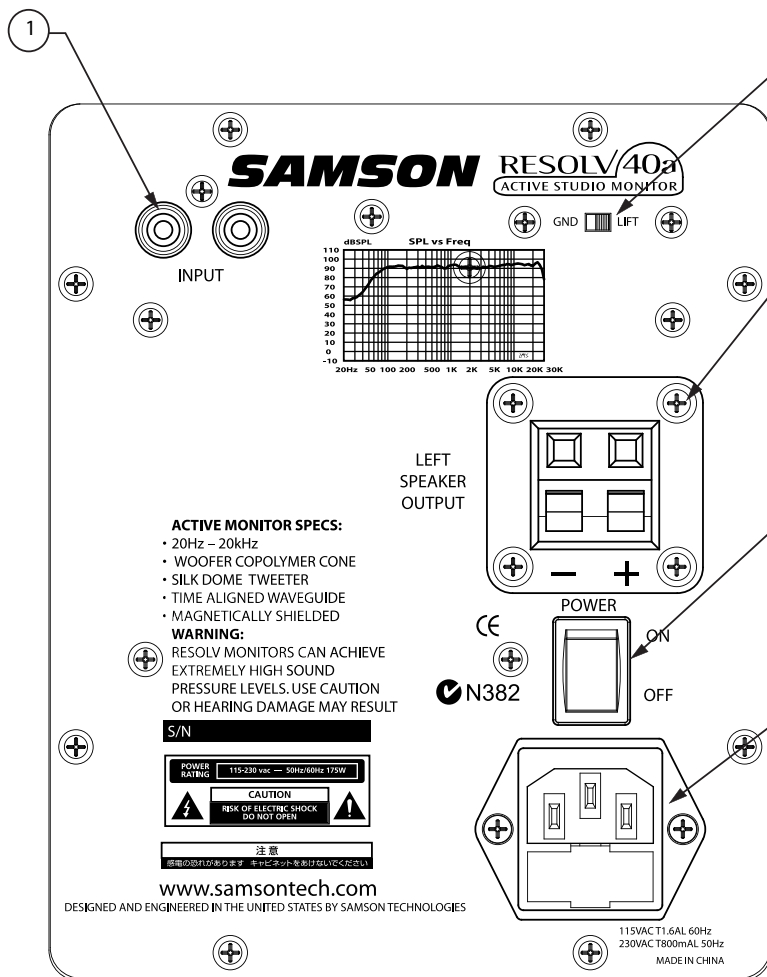
I Componenti del Pannello Frontale



- 1 TWEETER A CUPOLA DA 1" IN TESSUTO TRATTATO** - il tweeter a cupola in tessuto trattato genera una risposta lineare alle frequenze acute.
- 2 LED DI ALIMENTAZIONE (ATTIVO)** - LED blu che si accende ad indicare che l'unità è alimentata ed attiva.
- 3 ALTOPARLANTE DA 4" PER LE BASSE FREQUENZE** - trasduttore "heavy duty" da 4" a intervallo esteso per le basse frequenze.
- 4 APERTURA DI ACCORDATURA (NEL RETRO)** - design silenzioso ad apertura accordata, per una risposta estesa e lineare alle basse frequenze.
- 5 CASSA ACUSTICA** - realizzata in rigida MDF.
- 6 FINITURA** - elegante finitura in vinile nero intesuto.
- 7 VOLUME (SUL SOLO LATO DI DESTRA)** - controlla il livello generale in uscita.

Resolv 40a - I Componenti

I Componenti del Pannello Posteriore dell'R40a



1 INGRESSO RCA – per il collegamento di segnali da apparecchi sbilanciati a -10dBV. Il connettore rosso è per il canale Destro, il bianco per il canale Sinistro.

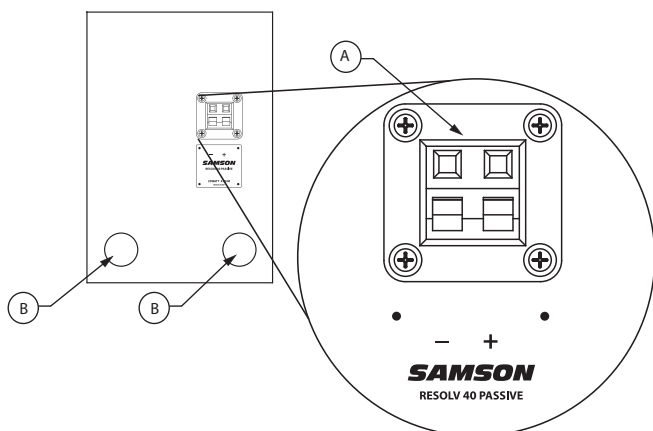
2 GROUND LIFT (ESCLUSIONE DELLA MASSA) – interruttore a slitta che permette di eliminare il collegamento a massa dai connettori RCA.

3 ALLOGGIAMENTO DEI TERMINALI – terminali a pressione per il collegamento della Cassa Acustica di Estensione di Sinistra.

4 INTERRUPTORE DI ALIMENTAZIONE – interruttore principale di alimentazione. Quando è acceso, si illumina il LED blu del pannello frontale, ad indicare che il Resolv 40a è alimentato ed attivo.

5 PRESA IN CA - è qui che va collegato il cavo IEC di alimentazione in dotazione.

I Componenti del Pannello Posteriore dell'R40P



A ALLOGGIAMENTO DEI TERMINALI – terminali a pressione per il collegamento della Cassa Acustica di Estensione di Sinistra.

B APERTURA DI ACCORDATURA (SUL RETRO) - design silenzioso ad apertura accordata che offre una risposta estesa e lineare alle basse frequenze.

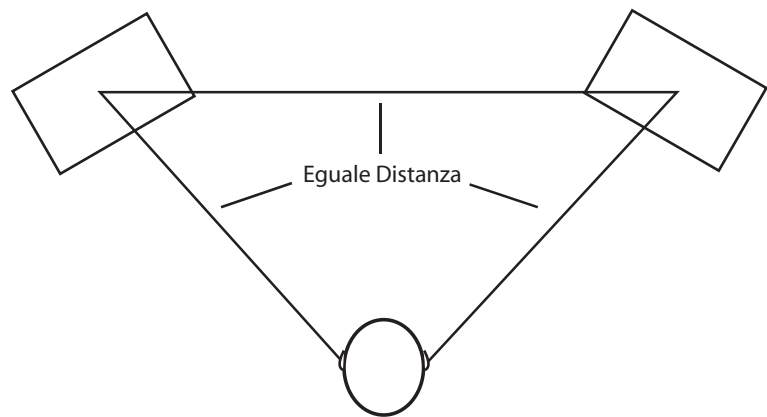
La Messa a Punto dei Resolv 40a

Il Bagaglio Tecnico dei Monitor di Riferimento da Studio Resolv 40a

I Resolv 40a sono monitor di riferimento a campo ravvicinato che dispongono di un trasduttore per le basse frequenze da 4", di progettazione specifica in copolimero, e di un tweeter da 1" in tessuto trattato che sfrutta una bobina voce raffreddata al Ferro-fluido e un magnete al neodimio. Il loro crossover è stato progettato con cura con componenti di elevata qualità ed assicura una risposta lineare in frequenza e in fase. Le casse acustiche dei Resolv 40a sono costruite in MDF (Medium Density Fiberboard - Tavola di Fibra di Media Densità) e rifinite in vernice intessuta antigraffio. Le casse acustiche dei Resolv 40a sono inoltre dotate di aperture accordate che forniscono una risposta estesa alle basse frequenze e, grazie al design a bassa turbolenza, il trasduttore per le basse frequenze è in grado di muoversi liberamente con effetto minimo sull'impedenza globale. Nel retro di una delle casse acustiche è disposto il pannello di controllo dei Resolv 40a che dispone di ingresso sbilanciato su prese RCA. L'ingresso è collegato al modulo di potenza stereo interno dei Resolv 40a che fornisce 25 watt per canale su crossover passivi.

Il Posizionamento dei Resolv 40a

La monitorizzazione in campo ravvicinato viene privilegiata da molti ingegneri in studi grandi e piccoli perché minimizza gli effetti dell'acustica della stanza. Questo è particolarmente importante negli odierni studi di progetto, dove il budget per l'acustica ambientale è spesso vicino allo zero. Posizionando i monitor di riferimento in campo ravvicinato (vicino all'ascoltatore), potete ridurre notevolmente gli effetti dell'acustica della stanza. Le considerazioni più importanti quando si valutano gli effetti dell'acustica ambientale sono le superfici riflettenti intorno all'area di monitorizzazione. Queste possono comprendere tavole piatte, specchi di vetro o foto incorniciate, ampi muri nudi e perfino la superficie della consolle di missaggio. La gran parte dei suoni riflessi prima o poi raggiunge la posizione d'ascolto ma, dato che son suoni leggermente ritardati rispetto alla sorgente diretta, il risultato è la cancellazione casuale di alcune frequenze, ovvero il filtraggio a pettine. Per quanto possibile, eliminate ognuna e tutte le superfici di riflessione. Potete anche appendere pannelli di gommapiuma ad assorbimento acustico sui muri vicini ai monitor. Nel posizionare i monitor, create quello che normalmente viene chiamato il "triangolo di missaggio". In questa configurazione ideale, lo spazio tra i monitor sinistro e destro è eguale alla distanza dell'ascoltatore da ognuno dei monitor, in modo da formare un triangolo equilatero (Figura 1).



Miglior Posizione di Ascolto

Figura 1.

La Messa a Punto dei Resolv 40a

Il Posizionamento dei Resolv 40a - continua

L'Orientazione delle Casse Acustiche

I Resolv 40a possono essere usati sia in posizione verticale che orizzontale. Quando li usate in configurazione orizzontale, fate in modo di posizionare i tweeter di sinistra e destra agli estremi esterni (Figura 2). In questo modo migliorerete l'immagine stereo aumentando l'accoppiamento tra i diffusori per le frequenze basse.



Figura 2.

Un Momento di Riflessione

Nello scegliere la posizione in altezza del vostro sistema di monitor, evitate attentamente le riflessioni dalla superficie della consolle di missaggio (Figura 3). Sono riflessioni che arrivano alla posizione d'ascolto leggermente ritardate rispetto al suono originale e danno per risultato cancellazioni strane ed una risposta generalmente imprevedibile. Visualizzate linee rette che rappresentano il percorso del suono irradiato dai monitor e scegliete una altezza de riduca il formarsi di riflessioni verso la migliore posizione di ascolto (Figura 4). Nella maggior parte dei casi, la posizione ideale è leggermente dietro e sopra i livelli di misura della consolle.

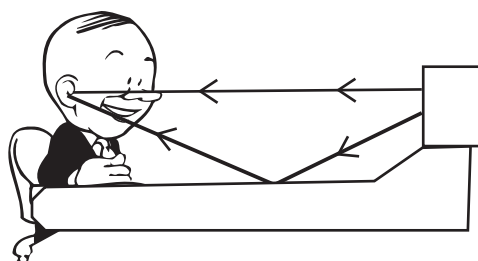


Figura 3.

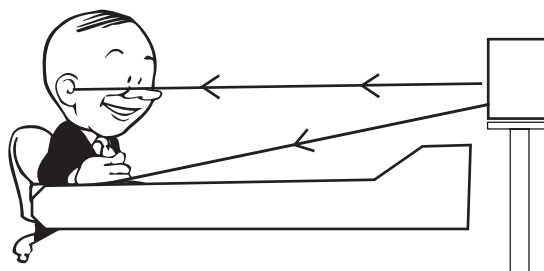


Figura 4.

Il Collegamento dei Resolv 40a

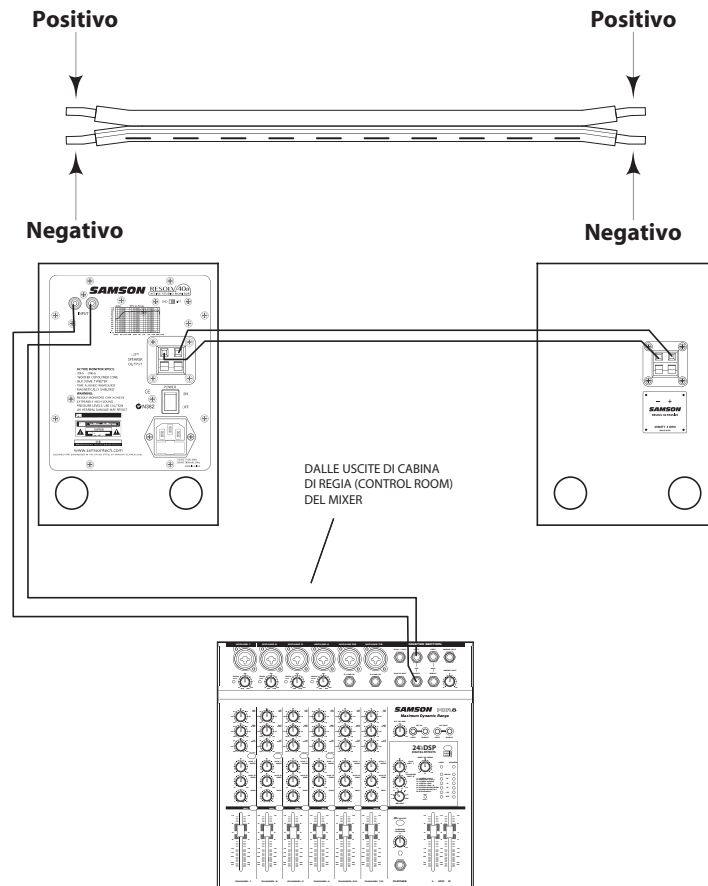
Il Collegamento Immediato dei Resolv 40a

Nota: prima di effettuare i collegamenti ed accendere il sistema, ricordate la regola per i finali di potenza (e per i monitor amplificati) "L'ULTIMO DA ACCENDERE È IL PRIMO DA SPEGNERE". Quando accendete il vostro sistema, assicuratevi che tutti i cavi siano collegati, accendete il mixer e qualsiasi altro apparecchio collegato e per ultimi accendete i Resolv 40a. Quando è ora di spegnere, spegnete per primi i Resolv 40a e poi il mixer e gli altri apparecchi collegati.

Il collegamento dei Resolv 40a va effettuato tramite gli Ingressi RCA del pannello posteriore. Seguite il disegno e le semplici istruzioni qui sotto per il collegamento immediato alle uscite di cabina di regia (control room) di una consolle di registrazione standard.

- Usando il cavo da 18 "gauge" per la Cassa Acustica di Estensione in dotazione, collegate il lato Negativo del cavo al terminale Nero ed il suo lato Positivo al terminale Rosso del monitor di Destra.
- Collegate poi il lato Negativo del cavo al terminale Nero ed il lato Positivo al terminale Rosso del monitor di Sinistra.

Nota: quasi tutti i cavi non schermati per cassa acustica dispongono di una segnalazione del connettore negativo. Per evitare problemi di cancellazione di fase, assicuratevi di mantenere le corrette connessioni positive e negative nel cambliaggio di tutto l'intero sistema.



- Chiudete completamente le uscite generali del mixer.
- Collegate le uscite sinistra e destra di Control Room (Cabina di Regia) del mixer agli ingressi della Resolv 40a di Destra.
- Regolate il controllo di Volume in ingresso dei Resolv 40a in posizione a "ore 2".
- Inviare un segnale audio (per esempio, musica da un CD) dal mixer ed alzatene le uscite di Control Room fino ad ottenere un livello di ascolto confortevole.

L'Uso dei Resolv 40a

Il Pannello di Controllo Posteriore dei Resolv 40a

Il pannello posteriore di controllo dei Resolv 40a è dove si effettuano i collegamenti sia dell'alimentazione in CA che dei segnali audio. I paragrafi che seguono dettagliano i controlli ed i collegamenti del pannello posteriore.

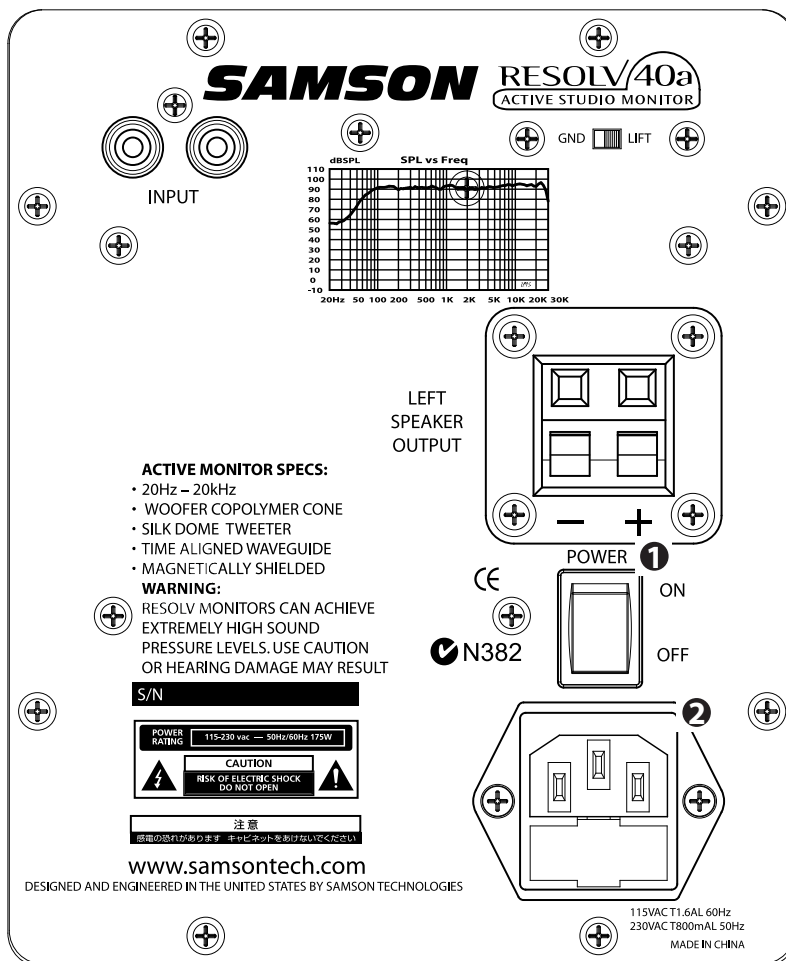
Come alimentare i Resolv 40a

Dato che i Resolv 40a sono monitor da studio attivi, dotati di finale di potenza interno, è necessario collegarli ad una alimentazione in CA. Accertatevi che l'interruttore principale di alimentazione sia in posizione "off" e collegate il cavo di alimentazione IEC in dotazione alla presa in CA.

Come evitare Ronzio!

Nel decidere il percorso dei cavi di alimentazione, fate attenzione a non far correre i cavi di CA ed eventuali relative prolunghie in parallelo ai cavi di ingresso. Questo vi aiuterà a ridurre qualsiasi ronzio indotto dovuto alla CA. Se dovete incrociare un cavo di alimentazione con un cavo audio, fate in modo che accada ad un angolo di 90 gradi, così da minimizzare la quantità di ronzio indotto.

- 1 INTERRUPTORE POWER (DI ACCENSIONE)** – l'interruttore POWER permette di accendere e spegnere l'elettronica attiva dei Resolv 40a. Quando è in posizione "on", vedete accendersi il LED blu del pannello frontale, ad indicare che i Resolv 40a sono alimentati e pronti per l'uso.
- 2 PRESA PER LA CA** - è qui che va collegato il cavo di alimentazione IEC in dotazione.

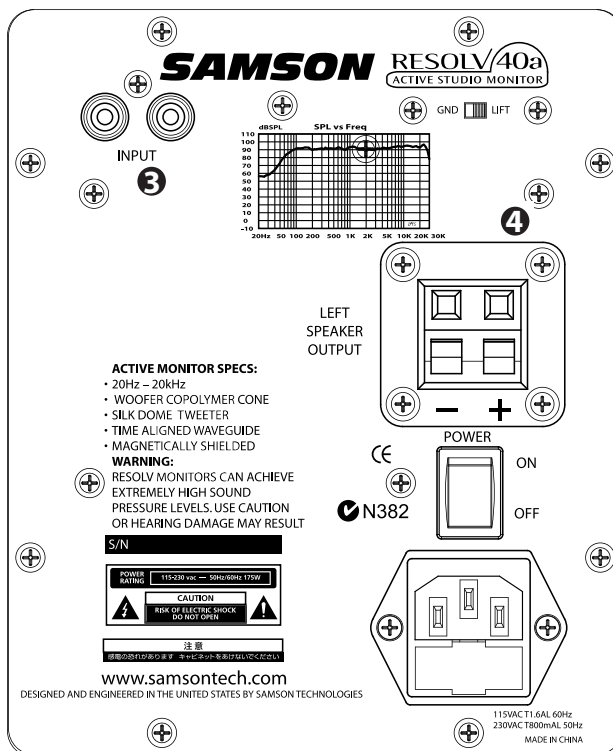


Il Pannello di Controllo Posteriore dei Resolv 40a - continua

Gli Ingressi e le Uscite

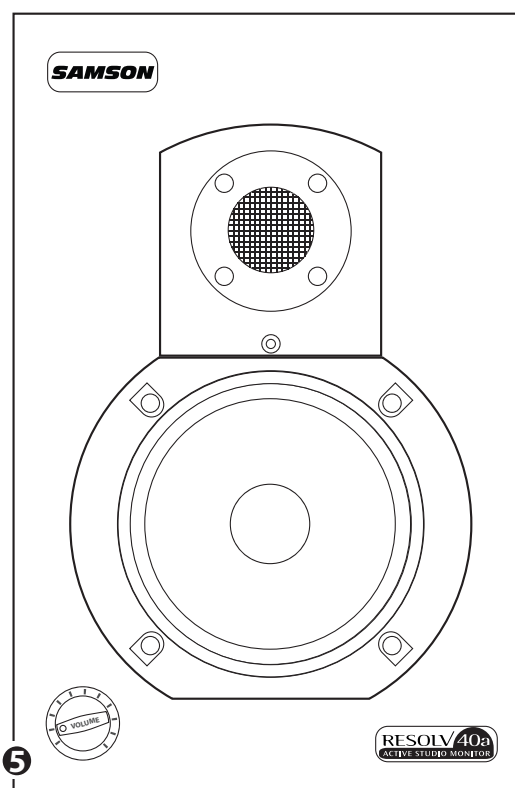
I Resolv 40a dispongono di una coppia stereo di connettori in ingresso che ne permettono l'installazione immediata con un gran numero di apparecchi audio come consolle di registrazione, registratori su disco rigido, lettori CD e schede audio per computer, giusto per elencarne alcuni. I paragrafi che seguono dettagliano i connettori in ingresso dei Resolv 40a. Trovate inoltre diagrammi di cablaggio dettagliati a pag. 12.

- ③ **INGRESSI AUDIO RCA** – gli ingressi RCA accettano segnali audio sbilanciati da apparecchi a -10dBV .
- ④ **ALLOGGIAMENTO DEI TERMINALI** – terminali a pressione per il collegamento della Cassa Acustica di Estensione di Sinistra.



Il Pannello di Controllo Frontale dei Resolv 40a

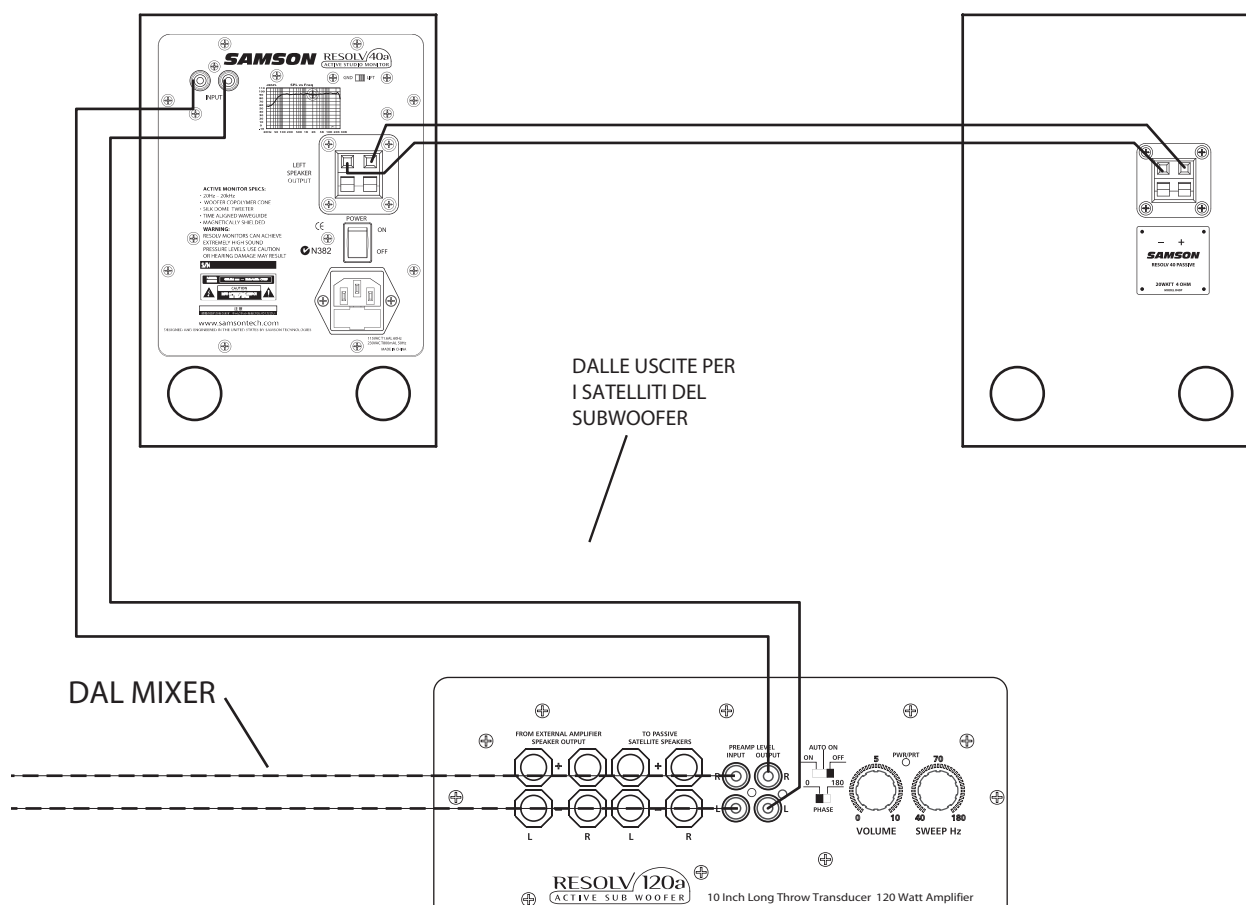
- ⑤ **CONTROLLO DI VOLUME (PANNELLO FRONTALE)** – il controllo di volume permette di regolare il livello generale in uscita dei Resolv 40a. Quando li accendete per la prima volta, cominciate con il controllo di volume completamente chiuso. Alzate poi lentamente fino a raggiungere un livello di ascolto confortevole.



Il Collegamento dei Subwoofer Resolv120a

I Resolv 40a con un Sub Mono

Tramite gli ingressi a LIVELLO DI LINEA dei Resolv 40a è facile aggiungere un subwoofer ed estendere la risposta in bassa frequenza del sistema. Di seguito trovate descritta una tipica configurazione che sfrutta un subwoofer RESOLV 120a Samson con un mixer ed una coppia di casse acustiche satelliti Resolv 40a. Gli ingressi del RESOLV 40a sono su connettori RCA standard. Per il diagramma dettagliato di cablaggio, fate riferimento alla "Guida al Cablaggio dei Resolv 40a" a pagina 12. Per configurare il vostro sistema, fate riferimento alle istruzioni qui di seguito.



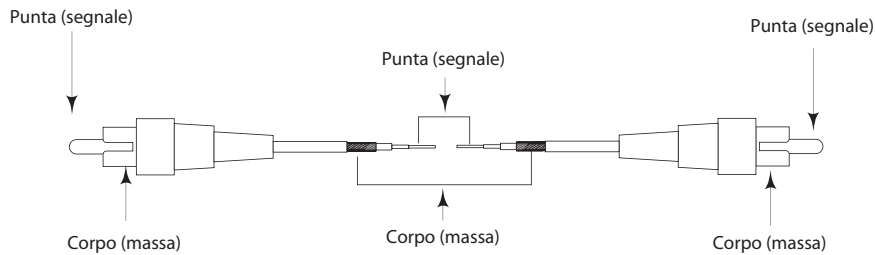
- Chiudete completamente le uscite generali del mixer.
- Collegate l'uscita di sinistra del mixer all'INGRESSO DI LINEA DI SINISTRA e l'uscita di destra del mixer all'INGRESSO DI LINEA DI DESTRA del RESOLV 120a. Collegate poi l'USCITA DI LINEA DI SINISTRA del RESOLV 120a all'ingresso di sinistra dei Resolv 40a e l'USCITA DI LINEA DI DESTRA del RESOLV 120a all'ingresso di destra dei Resolv 40a.
- Inviare un segnale audio (ad esempio, musica da CD) dal mixer ed aumentate il volume fino ad un livello di ascolto confortevole.
- A questo punto regolate il controllo di SWEEP alla frequenza voluta.. Un buon punto di partenza, sia in generale che specificamente per i Resolv 40a, è intorno ai 70 Hz. Potete anche effettuare la regolazione ad orecchio, scegliendo per il controllo di SWEEP la frequenza che vi suona meglio.

Resolv 40a - I Collegamenti

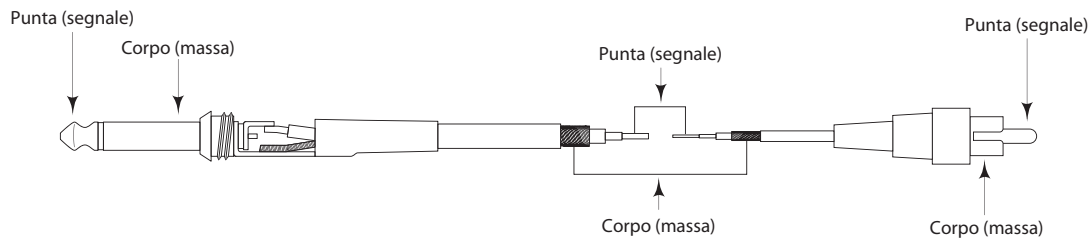
Guida al Cablaggio dei Resolv 40a

A seconda della configurazione dei vostri monitor, è possibile interfacciare i Resolv 40a in molti modi diversi. Per il collegamento del vostro sistema di monitor, seguite gli schemi riportati qui di seguito.

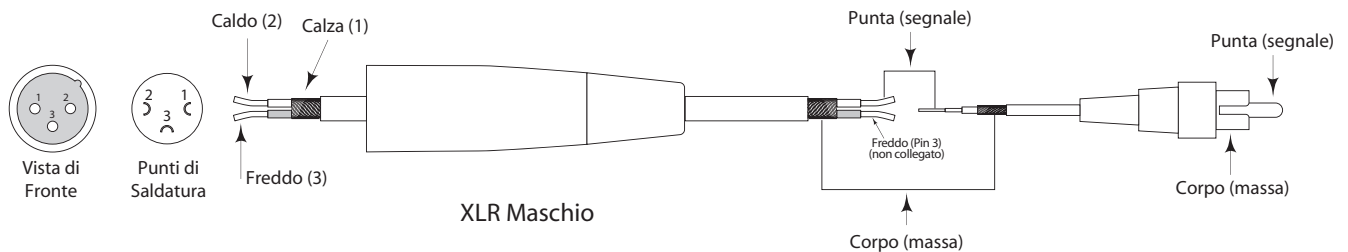
Cavo RCA - RCA



Cavo Sbilanciato da 1/4" a RCA



Cavo Sbilanciato da XLR a RCA



Specifications/Caractéristiques techniques/Technische Daten/Especificaciones técnicas/Specifiche

Specifications

Transducers:	4" polypropoline with butyl surround, 1-inch treated textile tweeter
Frequency response:	70Hz - 24KHz +/-3 dB
Amplifier:	
Power Rating:	2 x25 Watts RMS
Crossover Frequency:	3.3KHz : HPF, 6 dB/oct, LPF 12 dB/oct
Inputs:	
Unbalanced	-10dBV Line Level
Connector:	RCA
Enclosure:	
Construction:	MDF (Medium Density Fiberboard)
Finish:	Black Textured
Dimensions:	6.5" x 9.75" x 7.5" 168 mm x 245 mm x 190 mm
Weight:	
R40a (active)	10 lbs./ 4.54 kg.
R40P (passive)	7 lbs. / 3.18 kg.

Caractéristiques techniques

Haut-parleurs :	Woofer de 102 mm (4 pouces) à membrane copolymère et suspension butyle ; Tweeter de 25 mm à dôme en tissu imprégné
Bande passante :	70 Hz - 24 kHz +/- 3 dB
Amplificateur	
Puissance :	2 x25 Watts efficace
Fréquence de coupure :	3,3 kHz : HPF, 6 dB/oct, LPF 12 dB/oct
Entrées :	
Asymétriques :	-10 dBV niveau ligne
Connecteur :	RCA
Baffle :	
Construction :	Panneaux de particules de fibre moyenne densité MDF
Finition :	Peinture noire
Dimensions :	168 mm (l) x 245 mm (h) x 190 mm (p)
Poids :	
R40a (actif) :	4,54 kg.
R40P (passif) :	3,18 kg.

Technische Daten

Wandler:	4" Polypropolin mit Butylen-Rahmen, 1" Tweeter aus behandeltem Textil
Frequenzgang:	70 Hz - 24 kHz +/-3 dB
Verstärker:	
Nennleistung:	2 x 25 Watt RMS
Crossover-Frequenz:	3,3 kHz : HPF, 6 dB/Okt., LPF 12 dB/Okt.
Eingänge:	
asymmetrisch	-10 dBV Line-Pegel

Specifications/Caractéristiques techniques/Technische Daten/Especificaciones técnicas/Specifiche

Anschluss:	Cinch
Gehäuse:	
Konstruktion:	Faserplatte mittlerer Dichte (MDF)
Oberfläche:	schwarz texturiert
Abmessungen:	168 mm x 245 mm x 190 mm 6,5" x 9,75" x 7,5"
Gewicht:	
R40a (aktiv)	4,54 kg / 10 lbs.
R40P (passiv)	3,18 kg / 7 lbs.

Specifiche

Trasduttori:	da 4" in polipropilene con contorno in butile, tweeter da 1" in tessuto trattato
Risposta in Frequenza:	da 70Hz a 24KHz +/-3 dB
Amplificatore:	
Valore di Potenza:	2 x25 Watt RMS
Frequenza di Crossover:	3,3KHz: Passa-alto, 6 dB/oct, Passa-basso 12 dB/oct
Ingressi:	
Sbilanciati	-10dBV a Livello di Linea
Connettori:	RCA
Casse Acustiche:	
Costruzione:	MDF (Medium Density Fiberboard - Tavola di Fibra di Media Densità)
Finitura:	Nero Intessuto
Dimensioni:	168 mm x 245 mm x 190 mm 6,5" x 9,75" x 7,5"
Peso:	
R40a (attivo)	4,54 kg. / 10 lbs.
R40P (passivo)	3,18 kg. / 7 lbs.

Especificaciones

Transductores:	woofer de 4" fabricado en polipropileno con recubrimiento butílico, tweeter de 1 pulgada fabricado en tejido tratado
----------------	---

Notes

Samson Technologies Corp.
575 Underhill Blvd.
P.O. Box 9031
Syosset, NY 11791-9031
Phone: 1-800-3-SAMSON (1-800-372-6766)
Fax: 516-364-3888
www.samsontech.com